

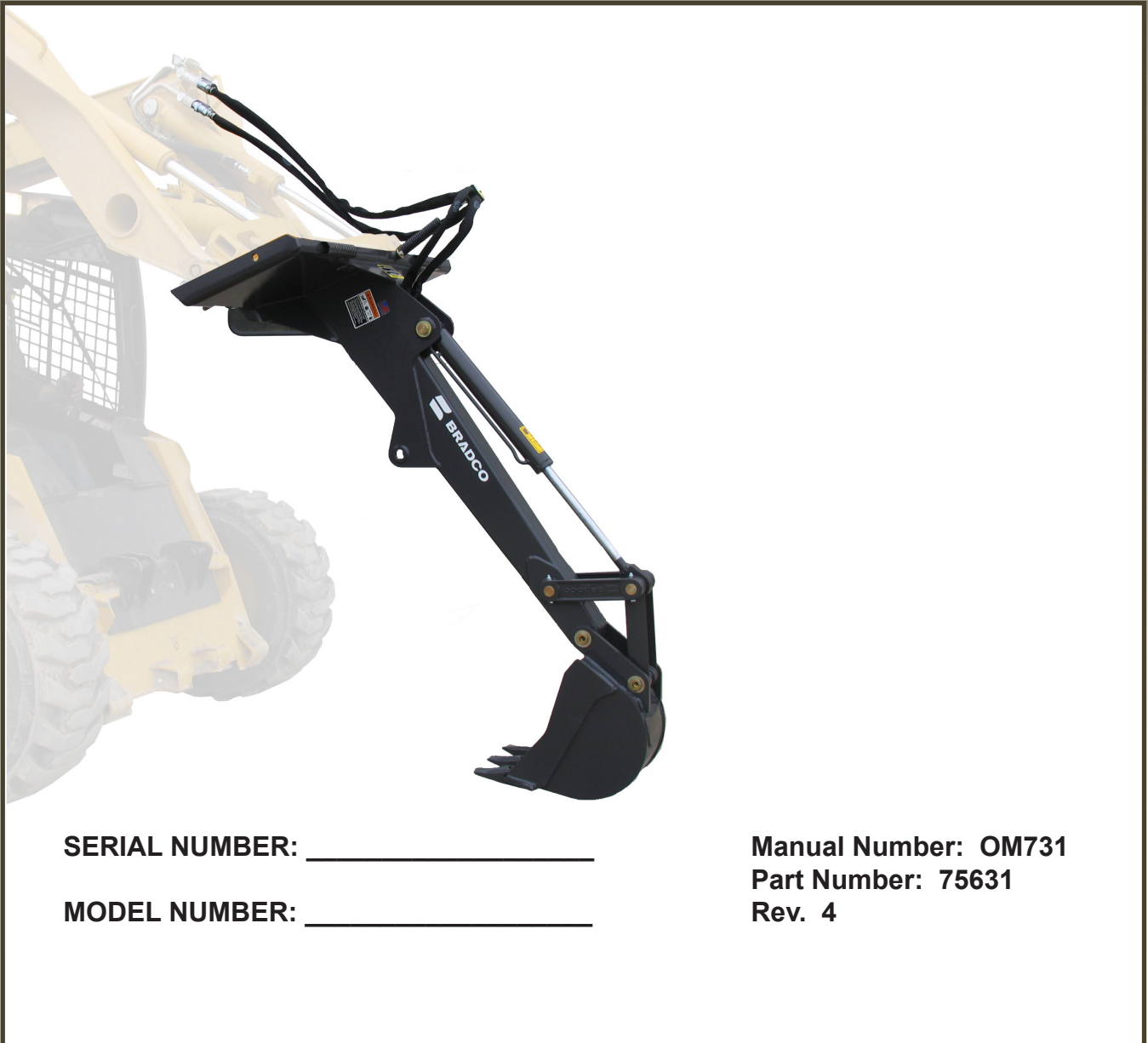


BRADCO

BY PALADIN

OPERATOR'S AND PARTS MANUAL

FIXED & SWING SKID HOE



SERIAL NUMBER: _____

MODEL NUMBER: _____

Manual Number: OM731
Part Number: 75631
Rev. 4

TABLE OF CONTENTS

PREFACE	3
SAFETY PRECAUTIONS	
SAFETY STATEMENTS	5
GENERAL SAFETY PRECAUTIONS	5-7
EQUIPMENT SAFETY PRECAUTIONS	8
DECALS	
DECAL PLACEMENT	9-10
DECALS	11
PREOPERATION	
GENERAL INFORMATION	12
PREPARING THE SKID STEER LOADER	12-13
SECONDARY RELIEF VALVE INSTALLATION	13-14
NOMENCLATURE	14
INSTALLATION	
ATTACHING	15
SKID HOE HYDRAULICS	15
DETACHING	15
SUPPLEMENTAL - RELIEF VALVE INSTALLATIONS	15-16
OPERATING INSTRUCTIONS	
GENERAL INFORMATION	17
BASIC DIGGING TECHNIQUE	17-18
BACKFILLING	18
STORAGE	19
LIFT POINTS	19
TIE DOWN POINTS	20
TRANSPORTING	20
MAINTENANCE AND SERVICE	
GENERAL INFORMATION	21
BEFORE EACH USE OR AFTER EVERY 8 HOURS OF OPERATION	21
LUBRICATION	22
REPLACING BUCKET TEETH	22
CHANGING BUCKETS	22
CYLINDER SEAL REPLACEMENT	23-24
TROUBLESHOOTING	25-26
SPECIFICATIONS	
BOLT TORQUE SPECIFICATIONS	27
SKID HOE SPECIFICATIONS	28
LIMITED WARRANTY	29
PARTS	
FIXED SKID HOE ASSEMBLY	30-31
SWING SKID HOE ASSEMBLY	32-35
BUCKET CYLINDER ASSEMBLY	36-37
SWING CYLINDER ASSEMBLY	38-39
HOSE SPRING CLAMP ASSEMBLY	40-41
OPTIONAL ELECTRICAL CONTROL BOX	42-43

11099 5-22-14-3

**THIS PAGE
IS INTENTIONALLY
BLANK**

PREFACE

GENERAL COMMENTS

Congratulations on the purchase of your new BRADCO product! This product was carefully designed and manufactured to give you many years of dependable service. Only minor maintenance (such as cleaning and lubricating) is required to keep it in top working condition. Be sure to observe all maintenance procedures and safety precautions in this manual and on any safety decals located on the product and on any equipment on which the attachment is mounted.

This manual has been designed to help you do a better, safer job. Read this manual carefully and become familiar with its contents.

WARNING! Never let anyone operate this unit without reading the "Safety Precautions" and "Operating Instructions" sections of this manual.



Always choose hard, level ground to park the vehicle on and set the brake so the unit cannot roll.

Unless noted otherwise, right and left sides are determined from the operator's control position when facing the attachment.

NOTE: The illustrations and data used in this manual were current (according to the information available to us) at the time of printing, however, we reserve the right to redesign and change the attachment as may be necessary without notification.

BEFORE OPERATION

The primary responsibility for safety with this equipment falls to the operator. Make sure the equipment is operated only by trained individuals that have read and understand this manual. If there is any portion of this manual or function you do not understand, contact your local authorized dealer or the manufacturer to obtain further assistance. Keep this manual available for reference. Provide the manual to any new owners and/or operators.

SAFETY ALERT SYMBOL



This is the "Safety Alert Symbol" used by this industry. This symbol is used to warn of possible injury. Be sure to read all warnings carefully. They are included for your safety and for the safety of others working with you.

SERVICE

Use only manufacturer replacement parts. Substitute parts may not meet the required standards.

Record the model and serial number of your unit on the cover of this manual. The parts department needs this information to insure that you receive the correct parts.

SOUND AND VIBRATION

Sound pressure levels and vibration data for this attachment are influenced by many different parameters: some items are listed below (not inclusive):

- prime mover type, age, condition, with or without cab enclosure and configuration
- operator training, behavior, stress level
- job site organization, working material condition, environment

Based on the uncertainty of the prime mover, operator, and job site, it is not possible to get precise machine and operator sound pressure levels or vibration levels for this attachment.

NOTE: A list of all Paladin Patents can be found at <http://www.paladinattachments.com/patents.asp>.

**THIS PAGE
IS INTENTIONALLY
BLANK**

SAFETY STATEMENTS



THIS SYMBOL BY ITSELF OR WITH A WARNING WORD THROUGHOUT THIS MANUAL IS USED TO CALL YOUR ATTENTION TO INSTRUCTIONS INVOLVING YOUR PERSONAL SAFETY OR THE SAFETY OF OTHERS. FAILURE TO FOLLOW THESE INSTRUCTIONS CAN RESULT IN INJURY OR DEATH.



DANGER

THIS SIGNAL WORD IS USED WHERE SERIOUS INJURY OR DEATH WILL RESULT IF THE INSTRUCTIONS ARE NOT FOLLOWED PROPERLY.



WARNING

THIS SIGNAL WORD IS USED WHERE SERIOUS INJURY OR DEATH COULD RESULT IF THE INSTRUCTIONS ARE NOT FOLLOWED PROPERLY.



CAUTION

THIS SIGNAL WORD IS USED WHERE MINOR INJURY COULD RESULT IF THE INSTRUCTIONS ARE NOT FOLLOWED PROPERLY.

NOTICE

NOTICE INDICATES A PROPERTY DAMAGE MESSAGE.

GENERAL SAFETY PRECAUTIONS

WARNING!

READ MANUAL PRIOR TO INSTALLATION



Improper installation, operation, or maintenance of this equipment could result in serious injury or death. Operators and maintenance personnel should read this manual, as well as all manuals related to this equipment and the prime mover thoroughly before beginning installation, operation, or maintenance. **FOLLOW ALL SAFETY INSTRUCTIONS IN THIS MANUAL AND THE PRIME MOVER'S MANUAL(S).**



READ AND UNDERSTAND ALL SAFETY STATEMENTS

Read all safety decals and safety statements in all manuals prior to operating or working on this equipment. Know and obey all OSHA regulations, local laws, and other professional guidelines for your operation. Know and follow good work practices when assembling, maintaining, repairing, mounting, removing, or operating this equipment.



KNOW YOUR EQUIPMENT

Know your equipment's capabilities, dimensions, and operations before operating. Visually inspect your equipment before you start, and never operate equipment that is not in proper working order with all safety devices intact. Check all hardware to ensure it is tight. Make certain that all locking pins, latches, and connection devices are properly installed and secured. Remove and replace any damaged, fatigued, or excessively worn parts. Make certain all safety decals are in place and are legible. Keep decals clean, and replace them if they become worn or hard to read.

GENERAL SAFETY PRECAUTIONS

WARNING!



PROTECT AGAINST FLYING DEBRIS

Always wear proper safety glasses, goggles, or a face shield when driving pins in or out, or when any operation causes dust, flying debris, or any other hazardous material.

WARNING!



LOWER OR SUPPORT RAISED EQUIPMENT

Do not work under raised booms without supporting them. Do not use support material made of concrete blocks, logs, buckets, barrels, or any other material that could suddenly collapse or shift positions. Make sure support material is solid, not decayed, warped, twisted, or tapered. Lower booms to ground level or on blocks. Lower booms and attachments to the ground before leaving the cab or operator's station.

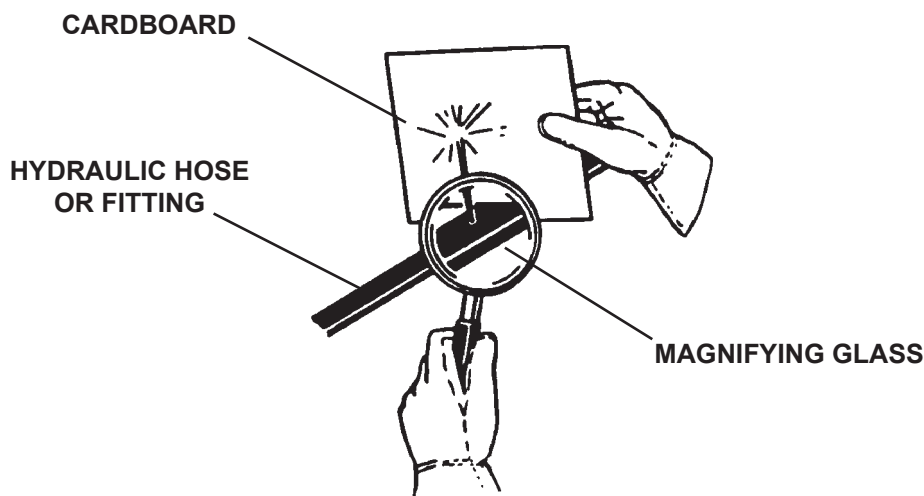
WARNING!



USE CARE WITH HYDRAULIC FLUID PRESSURE

Hydraulic fluid under pressure can penetrate the skin and cause serious injury or death. Hydraulic leaks under pressure may not be visible. Before connecting or disconnecting hydraulic hoses, read your prime mover's operator's manual for detailed instructions on connecting and disconnecting hydraulic hoses or fittings.

- Keep unprotected body parts, such as face, eyes, and arms as far away as possible from a suspected leak. Flesh injected with hydraulic fluid may develop gangrene or other permanent disabilities.
- If injured by injected fluid, see a doctor at once. If your doctor is not familiar with this type of injury, ask him to research it immediately to determine proper treatment.
- Wear safety glasses, protective clothing, and use a piece of cardboard or wood when searching for hydraulic leaks. **DO NOT USE YOUR HANDS!** **SEE ILLUSTRATION.**



GENERAL SAFETY PRECAUTIONS

WARNING!



DO NOT MODIFY MACHINE OR ATTACHMENTS

Modifications may weaken the integrity of the attachment and may impair the function, safety, life, and performance of the attachment. When making repairs, use only the manufacturer's genuine parts, following authorized instructions. Other parts may be substandard in fit and quality. Never modify any ROPS (Roll Over Protection Structure) or FOPS (Falling Object Protective Structure) equipment or device. Any modifications must be authorized in writing by the manufacturer.

WARNING!



SAFELY MAINTAIN AND REPAIR EQUIPMENT

- Do not wear loose clothing or any accessories that can catch in moving parts. If you have long hair, cover or secure it so that it does not become entangled in the equipment.
- Work on a level surface in a well-lit area.
- Use properly grounded electrical outlets and tools.
- Use the correct tools for the job at hand. Make sure they are in good condition for the task required.
- Wear the protective equipment specified by the tool manufacturer.



SAFELY OPERATE EQUIPMENT

Do not operate equipment until you are completely trained by a qualified operator in how to use the controls, know its capabilities, dimensions, and all safety requirements. See your machine's manual for these instructions.

- Keep all step plates, grab bars, pedals, and controls free of dirt, grease, debris, and oil.
- Never allow anyone to be around the equipment when it is operating.
- Do not allow riders on the attachment or the prime mover.
- Do not operate the equipment from anywhere other than the correct operator's position.
- Never leave equipment unattended with the engine running, or with this attachment in a raised position.
- Do not alter or remove any safety feature from the prime mover or this attachment.
- Know your work site safety rules as well as traffic rules and flow. When in doubt on any safety issue, contact your supervisor or safety coordinator for an explanation.

EQUIPMENT SAFETY PRECAUTIONS

WARNING! KNOW WHERE UTILITIES ARE



Observe overhead electrical and other utility lines. Be sure equipment will clear them. When digging, call your local utilities for location of buried utility lines, gas, water, and sewer, as well as any other hazard you may encounter.

WARNING! EXPOSURE TO RESPIRABLE CRYSTALLINE SILICA DUST ALONG WITH OTHER HAZARDOUS DUSTS MAY CAUSE SERIOUS OR FATAL RESPIRATORY DISEASE.



It is recommended to use dust suppression, dust collection and if necessary personal protective equipment during the operation of any attachment that may cause high levels of dust.



OPERATING THE SKID HOE

- Block off work area from bystanders, livestock, etc. Allow plenty of room for skid hoe swing.
- Operate only from the operator's station.
- Use the skid hoe only for digging. Do not use the skid hoe to pull things, as a battering ram, or attach ropes, chains etc., to the unit.
- Do not lift loads in excess of the capacity of the skid hoe or prime mover.
- When operating on slopes, dig with the skid hoe uphill, and avoid swinging the skid hoe to the downhill side. Avoid steep hillside operation, which could cause the prime mover to overturn.
- Reduce speed when driving over rough terrain, on a slope, or turning, to avoid overturning the prime mover.
- An operator must not use drugs or alcohol, which can change his or her alertness or coordination. An operator taking prescription or over-the-counter drugs should seek medical advice on whether or not he or she can safely operate equipment.
- Before exiting the prime mover, lower the skid hoe to the ground, turn off the prime mover's engine, remove the key and apply the brakes.



TRANSPORTING THE SKID HOE

- Travel only with the attachment in a safe transport position to prevent uncontrolled movement. Drive slowly over rough ground and on slopes.
- When driving on public roads use safety lights, reflectors, Slow Moving Vehicle signs etc., to prevent accidents. Check local government regulations that may affect you.
- Do not drive close to ditches, excavations, etc., cave-in could result.
- Do not smoke when refueling the prime mover. Allow room in the fuel tank for expansion. Wipe up any spilled fuel. Secure cap tightly when done.



MAINTAINING THE SKID HOE

- Before performing maintenance, lower the attachment to the ground, turn off the engine, remove the key and apply the brakes.
- Never perform any work on the attachment unless you are authorized and qualified to do so. Always read the operator service manuals before any repair is made. After completing maintenance or repair, check for correct functioning of the skid hoe. If not functioning properly, always tag "DO NOT OPERATE" until all problems are corrected.
- Worn, damaged, or illegible safety decals must be replaced. New safety decals can be ordered from BRADCO.
- Never make hydraulic repairs while the system is under pressure, or cylinders under load. Serious personal injury or death could result.
- Never work under a raised attachment.

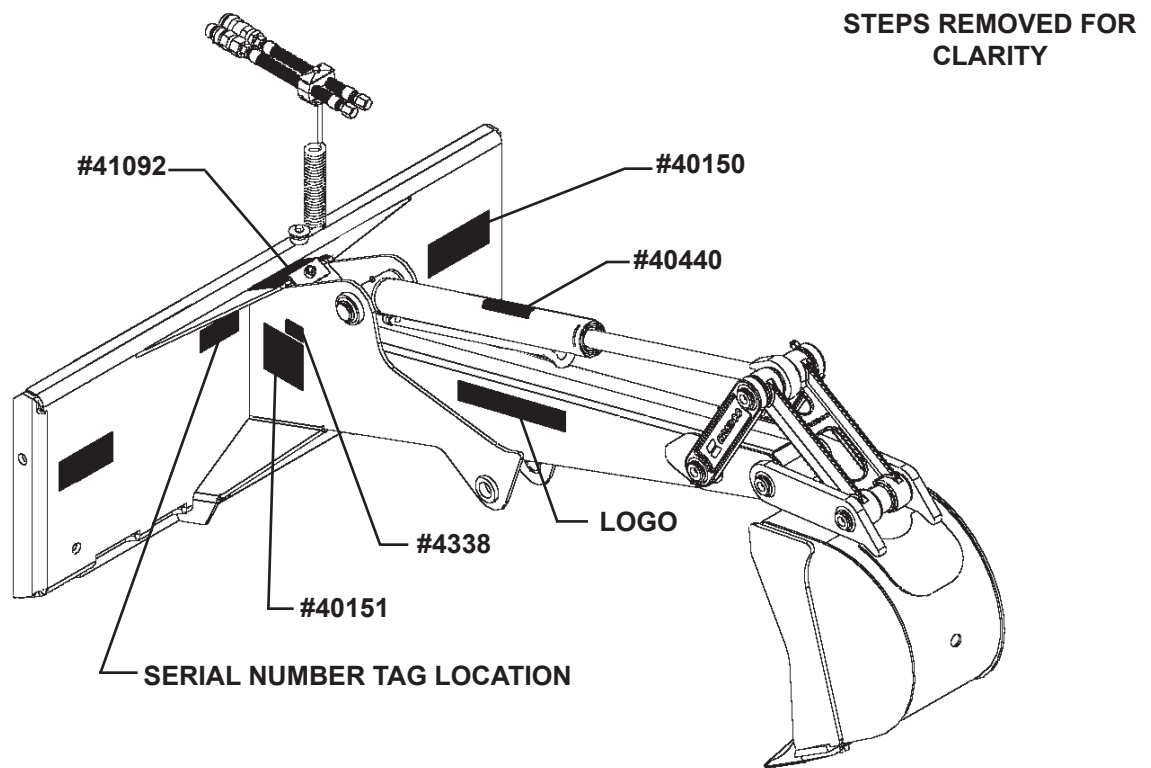
10341 2-29-08-2

DECALS

DECAL PLACEMENT - FIXED SKID HOE

GENERAL INFORMATION

The diagram on this page shows the location of the decals used on the BRADCO Fixed Skid Hoe. The decals are identified by their part numbers, with reductions of the actual decals shown. Use this information to order replacements for lost or damaged decals. Be sure to read all decals before operating the attachment. They contain information you need to know for both safety and longevity.



IMPORTANT: Keep all safety decals clean and legible. Replace all missing, illegible, or damaged safety decals. When replacing parts with safety decals attached, the safety decals must also be replaced.

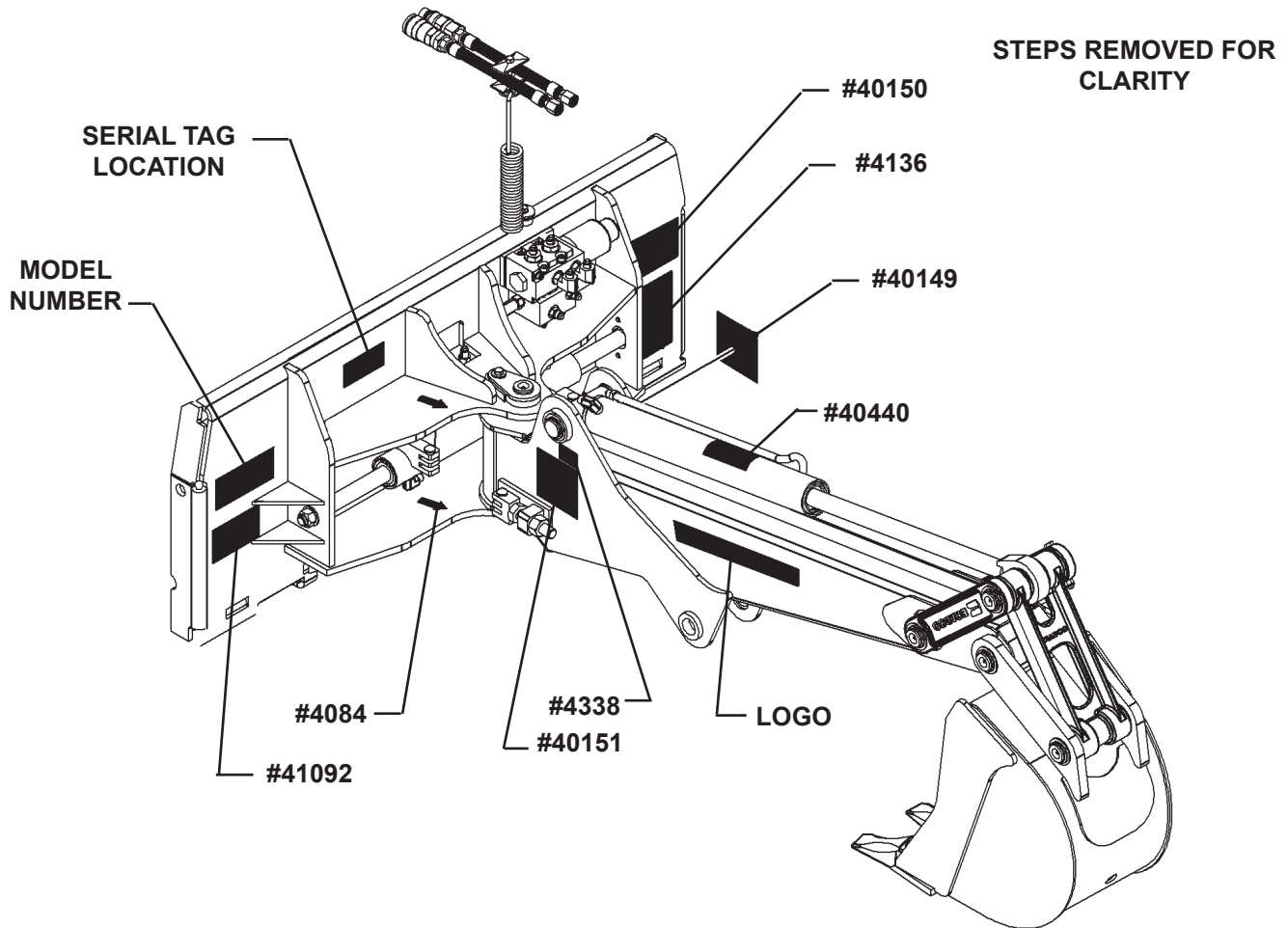
REPLACING SAFETY DECALS: Clean the area of application with nonflammable solvent, then wash the same area with soap and water. Allow the surface to fully dry. Remove the backing from the safety decal, exposing the adhesive surface. Apply the safety decal to the position shown in the diagram above and smooth out any bubbles.

DECALS

DECAL PLACEMENT - SWING SKID HOE

GENERAL INFORMATION

The following diagrams show the location of the decals used on the BRADCO Swing Skid Hoe. The decals are identified by their part numbers, with reductions of the actual decals shown on the following page. Use this information to order replacements for lost or damaged decals. Be sure to read all decals before operating the attachment. They contain information you need to know for both safety and longevity.



IMPORTANT: Keep all safety decals clean and legible. Replace all missing, illegible, or damaged safety decals. When replacing parts with safety decals attached, the safety decals must also be replaced.

REPLACING SAFETY DECALS: Clean the area of application with nonflammable solvent, then wash the same area with soap and water. Allow the surface to fully dry. Remove the backing from the safety decal, exposing the adhesive surface. Apply the safety decal to the position shown in the diagram above and smooth out any bubbles.

DECALS



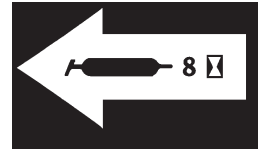
PART #40149
DANGER! PINCH POINT



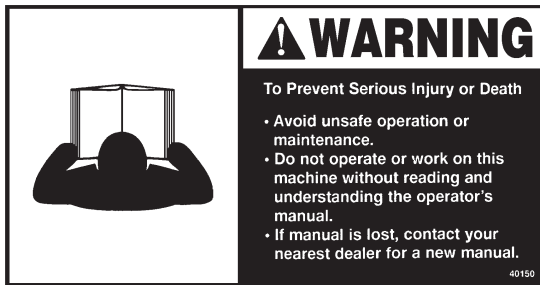
PART #40151
WARNING! HIGH PRESSURE FLUID



PART #4338
MADE IN USA



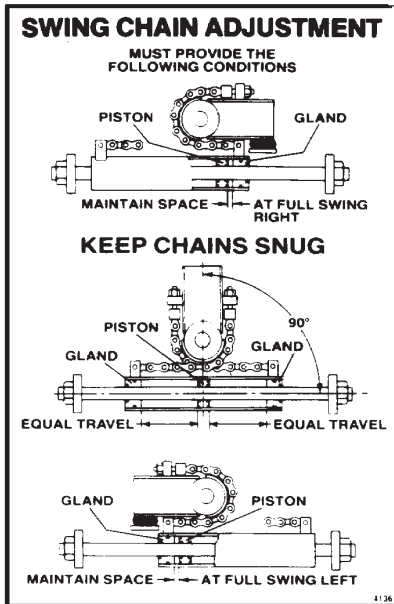
PART #4084
GREASE 8 HOURS



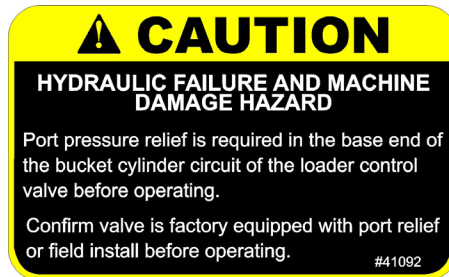
PART #40150
WARNING! READ MANUAL



PART #40440
CALL BEFORE YOU DIG



PART #4136
SWING CHAIN ADJUSTMENT




PART #41092
CAUTION DECAL

NOTE: CONTACT YOUR LOCAL DEALER TO PURCHASE LOGO AND MODEL NUMBER DECALS.

PREOPERATION

GENERAL INFORMATION


The BRADCO Skid Hoe was designed to be easy to use and maintain.

WARNING!  Never let anyone operate this equipment without first reading this manual, as well as all manuals related to this equipment and the prime mover. Follow all safety and operating instructions.

Operate the skid hoe only when properly seated in the skid steer's operating station. Any other method could result in serious personal injury or death.

Check the prospective digging area for hidden utility lines before operating the skid hoe. If in doubt of their location, contact the local utility companies. When operating the unit in an area where utility lines are expected to be present, proceed with caution. If the bucket makes contact with anything out of the ordinary, stop digging at once, and have the obstruction checked by hand. If a utility line has been damaged, contact the affected utility company immediately.

PREPARING THE SKID STEER LOADER

CAUTION!  THIS ATTACHMENT REQUIRES BASE-END BUCKET CIRCUIT PORT RELIEF VALVE TO BE INSTALLED IN THE LOADER CONTROL VALVE. CONFIRM PORT RELIEF VALVE INSTALLATION BEFORE OPERATING THIS ATTACHMENT.

If your unit does not have a factory installed relief in the base end of the loader control valve bucket cylinder circuit, contact your local dealer and have one installed before installing and operating the skid hoe. This cartridge is in addition to any existing rod-end relief cartridge and protects the skid steer from hydraulic failure and/or loader bucket cylinder damage.

Bobcat: Units with BICS (Bobcat Interlock Control System) do not require additional relief. Units without BICS but with a plug and relief on the tilt spool require Bobcat part #6599161 cartridge to replace the plug.

Case: Order Case #87445935 on all early production manual-control units. Later production manual-control machines have port relief valve included. All pilot-controlled units, track models and all 450 models have factory installed port relief valve since first production. Confirm port relief valve installation before operating this attachment. (See Installation Instructions)

Gehl: Models 7600, 7800 and 7810E install Gehl #138703 cartridge. Install into main control valve opposite the existing cartridge on the bucket circuit spool.

John Deere: Models 4475, 5575, 6675, 7775 and 8875 require John Deere #MG86529091. The following models require Bradco #LAF4495: Model 240 (up to SN#440000), 250 (up to SN#450000), 260 (up to SN#460000) and 270 (up to SN#470000). All others along with Model 280 (SN#480001 and up) require no additional relief.

11088 9-1-09-2

PREOPERATION

Mustang: Models 2095 and 2105 install Gehl #138703 cartridge. Install into main control valve opposite the existing cartridge on the bucket circuit spool.

New Holland: Order NH #86529091 for all Eaton valve equipped units (LX models and LS140, LS150, LS160, LS170, LS180, LS190, L140 and L150 along with manual-control L160, L170 and L175.) Order NH #87445939 for Husco valve equipped units (LS180.B, LS185.B, LS190.B and early production manual-control L180, L185 and L190.) Later production L180, L185, L190 manual-control machines have port relief valves included. All pilot-controlled L160 and larger and track models LT and C have had factory installed port relief valves since first production. Confirm port relief valve installation before operating. (See Installation Instructions)

Others: There is a secondary relief valve #LAF4264 available from your Bradco dealer for all units that do not have a base-end port relief available. (See the following installation instructions for installing this valve onto your skid steer loader.)

SECONDARY RELIEF VALVE INSTALLATION (PART #LAF4264)

The purpose of this valve is to relieve high pressure in the loaders bucket cylinder circuit when the loader control valve does not have a port relief for this circuit. Read these instructions and your loader manual before attempting installation.

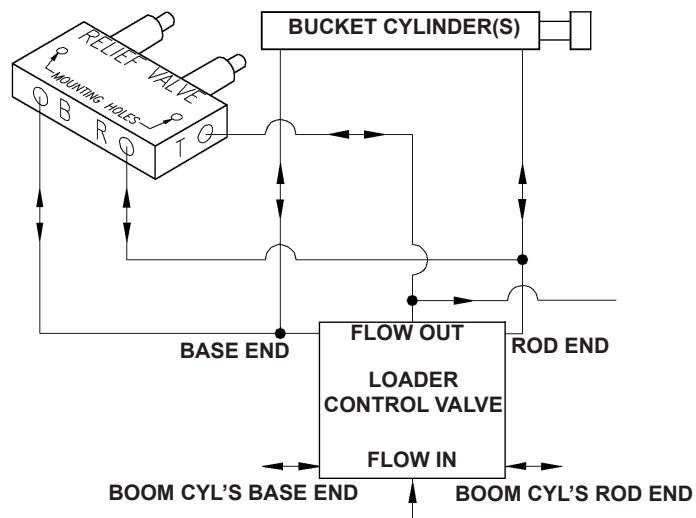
1. Clean the prime mover before working on the hydraulic system.
2. Remove any attachments from the skids steer loader and park on a level surface.
3. Shut off the engine, set the parking brake and relieve any hydraulic pressure in the system before connecting or disconnecting hydraulic lines.
4. Locate a convenient place to “tee” into the loader’s bucket circuit lines after they have passed through any self-leveling devices or any other devices which may be present on these lines. Refer to your loader’s service manual.
5. Locate a convenient area to “tee” into a return-to-tank line.
6. Once these areas have been located, find an area in close proximity for mounting the relief valve. Although the valve can be mounted in any position, every effort should be made to ensure accessibility to the valve, its cartridges, fittings and any lines that will be added. Careful consideration should also be made as to the type and size of the fittings and hoses that will be required before dismantling any hydraulic circuitry. Keep any added fittings, hoses, and the valve a safe distance from all moving parts of the machine. Any .38” SAE o’ring fittings, JIC fittings and .38” hydraulic hoses are all adequate for the amount of flow required. The valve’s ports accept #6 (.38”) SAE o’rings.
7. Install the line from the base-end of the loader’s bucket cylinders into port “B” on the valve. Install the line from the rod-end of the cylinder into port “R” on the valve and the return to the tank line into port “T”. Make sure all fittings and hoses are tightened securely and no hoses are stretched, bent, or kinked before mounting the valve.
8. Using the valve as a template, mark and drill two .25” holes.

11089 9-1-09-2

PREOPERATION

IMPORTANT: When drilling holes, be sure that you are not drilling into a reservoir or any other sealed compartment. Also be careful not to damage any hydraulic lines, fittings or components.

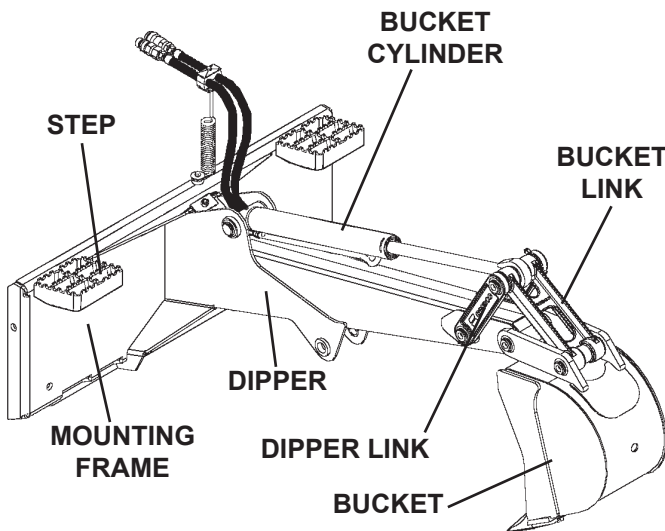
9. Secure the valve to the loader using .25" hardware. Check all connections for proper fit and tightness.
10. Replace any guards, shields or covers that were removed.
11. Replace any hydraulic fluid that may have been lost. See your loader's manual for specifications. (Start loader, reposition the loader arms and bucket cylinders according to the loader manufacturer's recommendations for checking fluid levels. Add fluid as needed.)



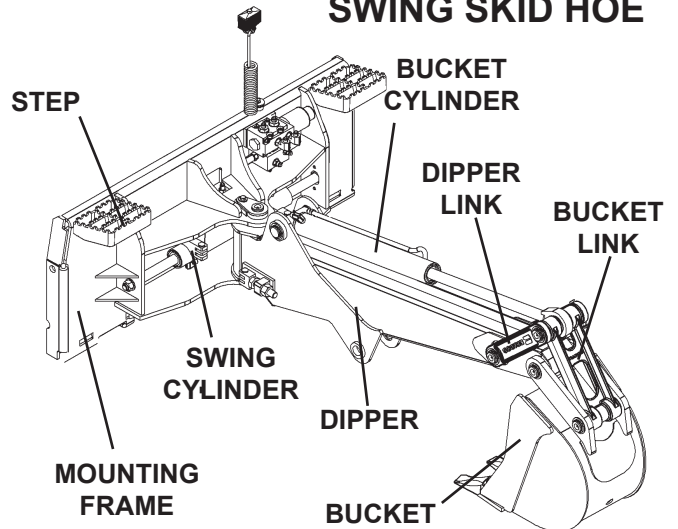
NOMENCLATURE

Throughout this manual, reference is made to various skid hoe components. Study the following diagrams to acquaint yourself with the various names of these components. This knowledge will be helpful when reading through this manual or when ordering service parts. There is a complete parts breakdown for the skid hoes at the back of this manual.

FIXED SKID HOE



SWING SKID HOE



11090 5-22-14-3

INSTALLATION

ATTACHING

Install the skid hoe by following your prime mover's operator's manual for installing an attachment.

WARNING! To avoid serious personal injury, make sure the skid hoe is securely latched to the attachment mechanism of your unit. Failure to do so could result in separation of the attachment from the unit.



SKID HOE HYDRAULICS

When installing a skid hoe onto your unit, finish the installation by connecting the couplers on the skid hoe to the auxiliary hydraulic couplers on your prime mover. If installing a swing hoe, also connect the wire assembly from the hydro-electric valve on the swing hoe to the optional control box or to the skid steer's auxiliary electrical outlet (if so equipped). Start the engine and slowly cycle the cylinder(s) several times to purge system of air and check for proper hydraulic connection, hose routing and hose length. Check for any hydraulic leaks and correct if necessary.

DETACHING

On firm level ground, lower the skid hoe to the ground. Turn off the engine.

Move the control levers back and forth to relieve pressure in the line. Disconnect couplers. (If detaching a swing hoe, also disconnect the wire assembly going to either the electrical control box or the auxiliary electrical outlet on your prime mover.)

NOTE: Connect couplers together or install dust caps to prevent contaminants from entering the hydraulic system.

Follow your prime mover's operator's manual for detaching (removing) an attachment.

NOTE: Frequent lubrication of grease fittings at the end of the cylinders and/or pivot points with a multi-purpose grease will greatly increase the life of the product.

SUPPLEMENTAL

CAUTION! THIS ATTACHMENT REQUIRES BASE-END BUCKET CIRCUIT PORT RELIEF VALVE TO BE INSTALLED IN THE LOADER CONTROL VALVE. CONFIRM PORT RELIEF VALVE INSTALLATION BEFORE OPERATING THIS ATTACHMENT.

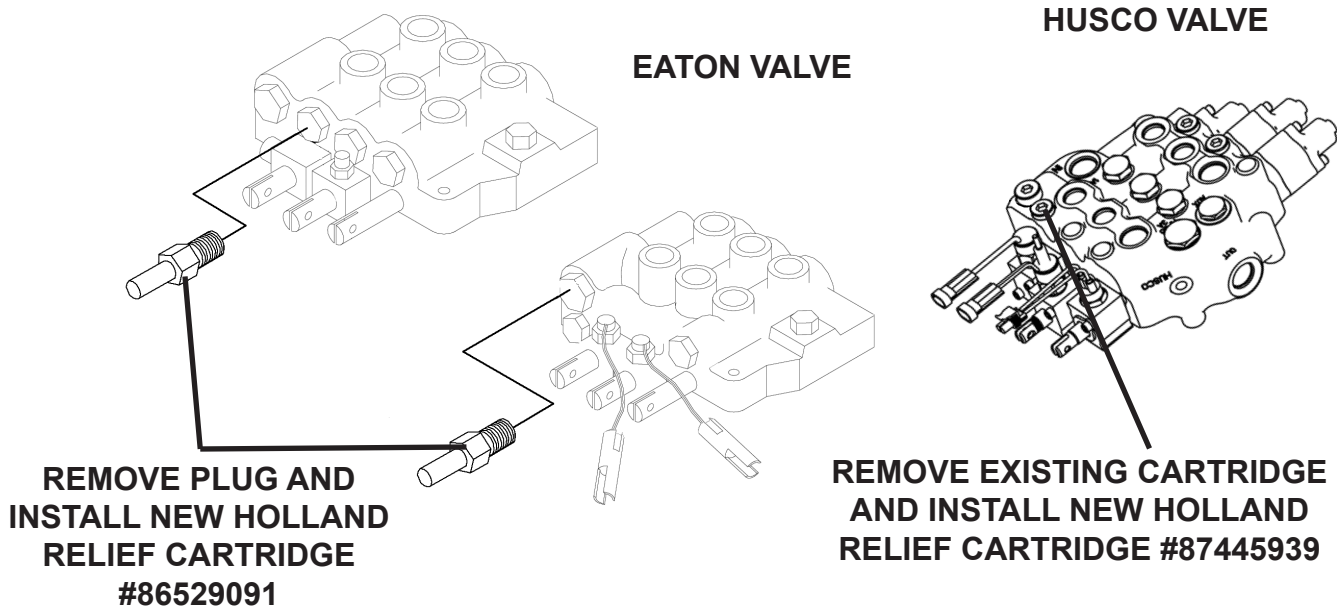


If your unit does not have a factory installed relief in the base-end of the loader control valve bucket cylinder circuit, contact your local dealer and have one installed before installing and operating the skid hoe. This cartridge is in addition to any existing rod-end relief cartridge and protects the skid steer from hydraulic failure and/or loader bucket cylinder damage.

INSTALLATION

NEW HOLLAND LOADERS:

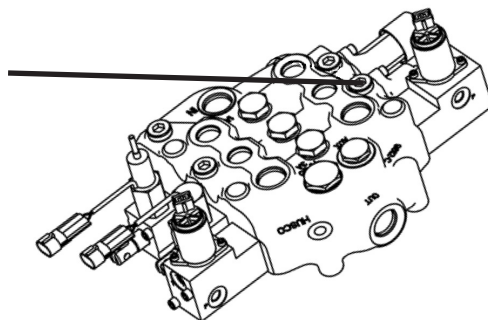
Order NH #86529091 for all Eaton valve equipped units (LX models and LS140, LS150, LS160, LS170, LS180, LS190, L140 and L150 and manual-control L160, L170 and L175). Order NH #87445939 for Husco valve equipped units (LS180.B, LS185.B, LS190.B and early production manual-control L180, L185 and L190). Later production L180, L185, L190 manual-control machines have port relief valves included. All pilot-controlled L160 and larger plus track models LT and C have had factory installed port relief valves since first production. Confirm port relief valve installation before operating.



CASE:

Order Case #87445935 on all early production manual-control units. Later production manual-control machines have port relief valves included. All pilot-controlled units, track models and all 450 models have factory installed port relief valves since first production. Confirm port relief valve installation before operating this attachment. (See Installation Instructions)

**FOR CASE 400 SERIES MODELS
REMOVE EXISTING CARTRIDGE
AND INSTALL RELIEF CARTRIDGE
#87445935**



See "PREPARING THE SKID STEER LOADER" in the Preoperation section of this manual for additional loader information.

11092 9-1-09-2

OPERATING INSTRUCTIONS

GENERAL INFORMATION

When operating the skid hoe, smoothness of technique should be strived for at all times. Smoothness will come with experience and practice at feathering the controls. Establish a flowing digging cycle to increase operator efficiency and save unnecessary wear on the machine.

Observe the following instructions to obtain the best results and to fully utilize the digging force of the skid hoe.

WARNING! Read and understand the Safety Precautions section of this manual before beginning any skid hoe operation.



Operate the attachment only from the operator's station. Any other method could result in serious personal injury or death.

Check the prospective digging area for hidden utility lines before operating the skid hoe. If in doubt of their location, contact the local utility companies. When operating the unit in an area where utilities are expected to be present, throttle the skid hoe down and proceed with caution. If you feel the bucket make contact with anything out of the ordinary, stop digging at once and have the obstruction checked by hand. If a utility line has been damaged, contact the affected utility company immediately.

BEFORE YOU START DIGGING

Before any excavating is started, it is always a good idea to plan the job first. Various things need to be considered and taken into account prior to the actual digging. The operator should inspect the job site and take notice of any potential hazards in the area. He/she should have a complete understanding of the tasks he/she is expected to perform. Figure out what will be done with the spoil (excavated soil), Will it be used to backfill? What are the soil conditions? Will you have to work around others? Etc.

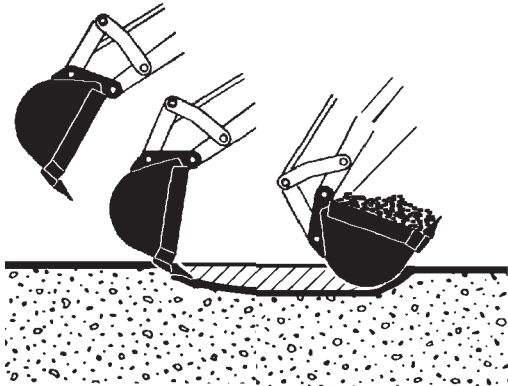
BASIC DIGGING TECHNIQUE

When starting an excavation, make the first cut of each section shallow, being careful to follow the exact layout of the excavation. The reason for the shallow cut is to minimize damage to the sod and to facilitate replacement. These first cuts are also important because they will act as guides for the remaining cuts. Thus getting the first few cuts as accurate as possible will help in keeping all future cuts accurate.

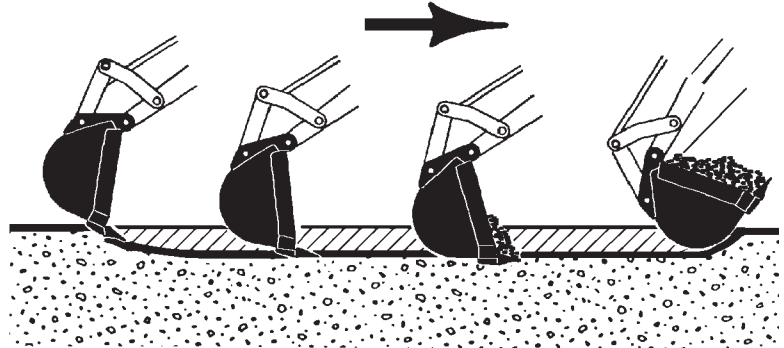
When digging with the skid hoe, the loader arms should be partially raised with the bucket out, away from the operator. Lower the dipper and start the digging process. The bucket teeth should be at a 30° to 45° entry angle. With the bucket on the ground, simultaneously curl the dipper toward the loader (using the loader arms) and roll the bucket until the bucket is full. (If the bucket stalls (wheels slide) raise the loader arms slightly and continue to dig until the bucket is full.) With the bucket full, raise the bucket out of the trench, and either rotate the skid steer and dump the spoil in the desired location or if using a swing hoe, swing the bucket to the side and dump the spoil in the desired location.

OPERATING INSTRUCTIONS

To dig a shallow trench, reach the desired depth by following the basic digging techniques and then slowly back up the loader, keeping the bucket height constant.



BASIC DIGGING



DIGGING A SHALLOW TRENCH

WARNING! To prevent serious personal injury or death from cave-in or prime mover overturn;



Always back away from trenches before turning.

Do not dig close to the loader wheels or under the loader.

The depth of the hole or trench will be controlled by dipper extension and loader arm height.

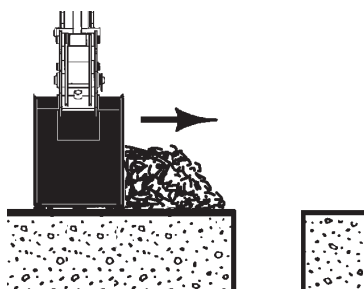
Use caution when working close to fences, ditches or on uneven ground and slopes. Always dump a loaded bucket on the uphill side of the hoe to minimize the possibility of turnover.

Use the flat sides of the bucket to scrape off any high spots on the sides of the excavation.

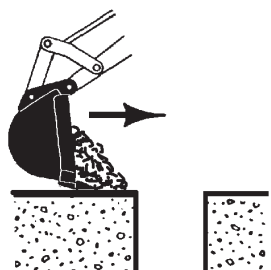
BACKFILLING

There are several options available for backfilling a hole or trench. The spoil location and job will determine which procedure is best for your application.

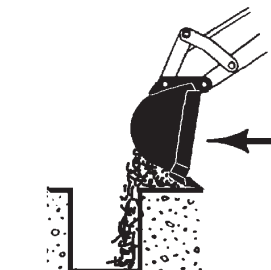
- Use the side of the bucket and pivot the loader toward the trench or hole or use the skid hoe swing (if equipped) to PUSH the spoil into the trench or hole.
- Use the bucket to reach beyond the trench and travel in reverse to PULL the spoil into the trench or hole.
- Use the back of the bucket and travel forward to PUSH the spoil into the trench or hole.



USE SIDE OF BUCKET TO PUSH SPOIL INTO TRENCH



USE BUCKET TO PULL SPOIL INTO TRENCH



USE BUCKET TO PUSH SPOIL INTO TRENCH

OPERATING INSTRUCTIONS

WARNING! MAKE SURE THE TRENCH OR HOLE IS FULL BEFORE TRAVELING OVER IT WITH THE LOADER AND SKID HOE. MOVING OVER AN UNSTABLE SURFACE CAN RESULT IN TIPOVER.



Always lower the bucket to the ground, set the parking brake, stop engine and remove the key before leaving the operator's station.

STORAGE

- Clean the unit thoroughly, removing all mud, dirt, and grease.
- Inspect for visible signs of wear, breakage, or damage. Order any parts required and make the necessary repairs to avoid delays upon removal from storage.
- Tighten loose nuts, capscrews and hydraulic connections.
- Coat exposed portions of the cylinder rods with grease.
- Lubricate grease fittings.
- Lubricate swing chain on Swing Hoe Only.
- Seal hydraulic system from contaminants and secure all hydraulic hoses off the ground to help prevent damage.
- Replace decals that are damaged or in unreadable condition.
- Store unit in a dry and protected place. Leaving the unit outside will materially shorten its life.

Additional Precautions for Long Term Storage:

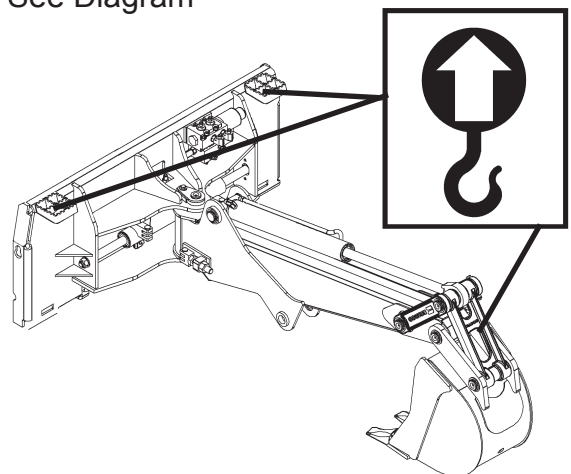
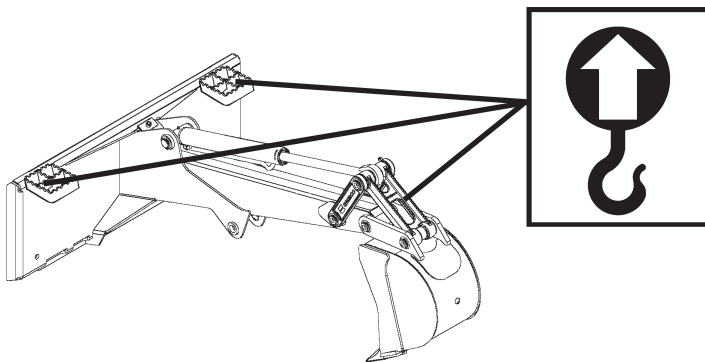
- Touch up all unpainted surfaces with paint to prevent rust.

REMOVAL FROM STORAGE

- Remove cover.
- Wash unit and replace any damaged and/or missing parts.
- Lubricate grease fittings.
- Lubricate swing chain on Swing Hoe Only.
- Check hydraulic hoses for damage and replace as necessary.
- Inspect bucket teeth and replace if necessary.

LIFT POINTS

Lifting points are identified by lifting decals where required. Lifting at other points is unsafe and can damage attachment. Do not attach lifting accessories around cylinders or in any way that may damage hoses or hydraulic components. See Diagram



10352 5-22-14-3

OPERATING INSTRUCTIONS

- Attach lifting accessories to unit at recommended lifting points.
- Bring lifting accessories together to a central lifting point.
- Lift gradually, maintaining the equilibrium of the unit.

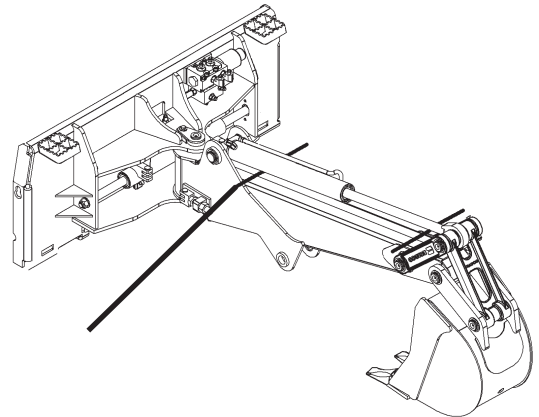
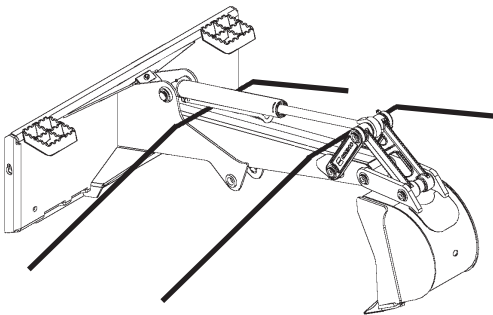
WARNING! Use lifting accessories (chains, slings, ropes, shackles and etc.) that are capable of supporting the size and weight of your attachment. Secure all lifting accessories in such a way to prevent unintended disengagement. Failure to do so could result in the attachment falling and causing serious personal injury or death.



TIE DOWN POINTS

Tie down points are identified by tie down decals where required. Securing to trailer at other points is unsafe and can damage attachment. Do not attach tie down accessories around cylinders or in any way that may damage hoses or hydraulic components. See Diagram

**DO NOT ATTACH TIE DOWN ACCESSORIES
OVER CYLINDERS, HOSES OR VALVE**



- Attach tie down accessories to unit as recommended.
- Check unit stability before transporting.

WARNING! Verify that all tie down accessories (chains, slings, ropes, shackles and etc.) are capable of maintaining attachment stability during transporting and are attached in such a way to prevent unintended disengagement or shifting of the unit. Failure to do so could result in serious personal injury or death.



TRANSPORTING

Follow all local government regulations that may apply along with recommended tie down points and any equipment safety precautions at the front of this handbook when transporting your attachment.

12794 5-22-14

MAINTENANCE AND SERVICE

GENERAL INFORMATION

Regular maintenance is the key to long equipment life and safe operation. Maintenance requirements have been reduced to an absolute minimum. However it is very important that these maintenance procedures be performed as described in this section.

WARNING! Read the Safety Precautions section of this manual before performing any maintenance procedure.



Follow all mandatory safety shutdown procedures outlined in the prime mover operator's manual before adjusting, cleaning, lubricating or servicing this attachment.

Procedure	Daily
Hardware - Check for tightness (see Bolt Torque Specifications).	✓
Check teeth for damage and replace as needed.	✓
Hydraulic System - Check for leaks and tighten as necessary. Check for damage and replace as needed.	✓
Decals - Check for missing or damaged safety decals and replace as necessary.	✓
Inspect attachment for any worn parts or cracked welds. Repair as required.	✓
Lubricate all grease fittings.	✓
Lubricate swing chain with spray lubricant. (Swing Hoe Only)	✓

WARNING! Escaping hydraulic fluid under pressure can have sufficient force to penetrate the skin causing serious personal injury. Fluid escaping from a very small hole can be almost invisible. Use a piece of cardboard or wood rather than your hands to search for suspected leaks.



Keep unprotected body parts, such as face, eyes, and arms as far away as possible from a suspected leak. Flesh injected with hydraulic fluid may develop gangrene or other permanent disabilities.

If injured by injected fluid see a doctor at once. If your doctor is not familiar with this type of injury, ask him/her to research it immediately to determine proper treatment.

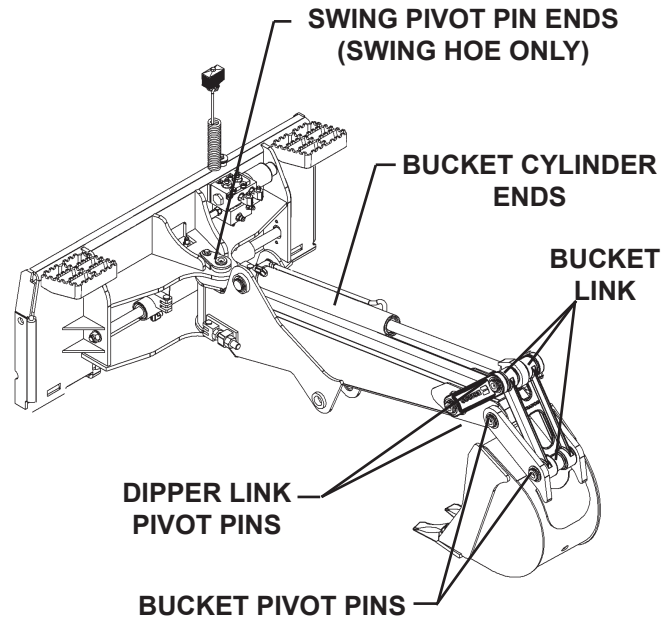
MAINTENANCE AND SERVICE

LUBRICATION

Economical and efficient operation of any machine is dependent upon regular and proper lubrication of all moving parts with a quality lubricant. Neglect leads to reduced efficiency, heavy draft, wear, breakdown and needless replacement of parts. All parts provided with grease fittings should be lubricated every 8 hours. If any grease fittings are missing, replace them immediately. Clean all fittings thoroughly before using grease gun.

IMPORTANT: Avoid excessive greasing. Dirt collects on exposed grease and greatly increases the wear. After greasing, wipe off excessive grease from fittings.

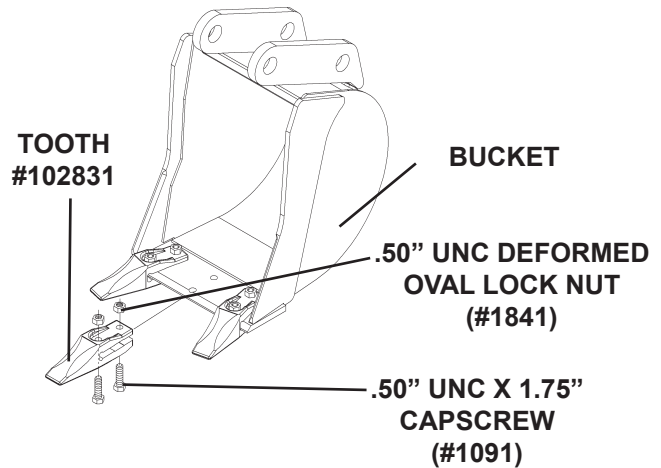
(SWING SKID HOE SHOWN)



REPLACING BUCKET TEETH

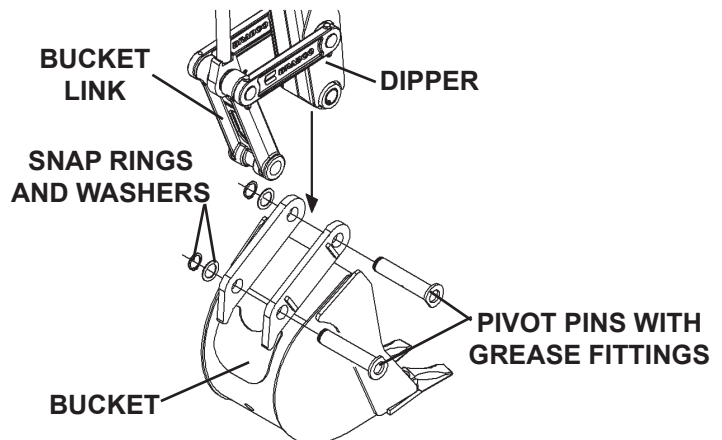
The bucket teeth are self-sharpening and require little attention, however, they can be replaced when they become worn or broken.

Remove the two capscrews and lock nuts securing the tooth to the bucket and replace with new bucket teeth and hardware.



CHANGING BUCKETS

The bucket is connected to the dipper and bucket link with snap ring style pins. To change buckets, remove the snap rings and washers from one side of the pivot pins, slide the pins out and then remove the old bucket. Position the new bucket in its place. Install the pivot pins and secure with snap rings and thrust washers. Lubricate both pivot pin grease fittings before operating.



11095 5-22-14-3

MAINTENANCE AND SERVICE

CYLINDER SEAL REPLACEMENT

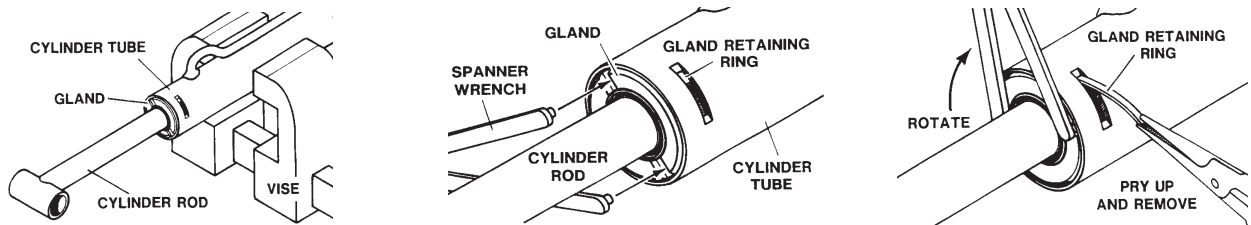
The following information is provided to assist you in the event you should need to repair or rebuild a hydraulic cylinder. When working on hydraulic cylinders, make sure that the work area and tools are clean and free of dirt to prevent contamination of the hydraulic system and damage to the hydraulic cylinders. Always protect the active part of the cylinder rod (the chrome section). Nicks or scratches on the surface of the rod could result in cylinder failure. Clean all parts thoroughly with a cleaning solvent before reassembly.

DISASSEMBLY PROCEDURE

IMPORTANT: Do not contact the active surface of the cylinder rod with the vise. Damage to the rod could result.

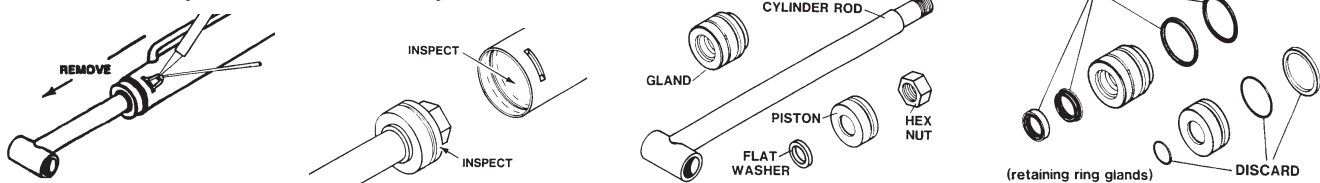
RETAINING RING TYPE GLAND

1. Mount the cylinder tube securely in a vise. **NOTICE: Do not clamp too tight and distort the tube.**
2. Rotate the gland with a spanner wrench (available from your dealer), until the gland retaining ring appears in the milled slot.



Pry up the end of the gland retaining ring with a pointed tool. Rotate the gland with a spanner wrench while removing the retaining ring. **NOTE: The gland and piston seal(s) can be pulled out and cut as they appear in the milled slot during disassembly. After cutting, pull them on out through the milled slot.**

3. Pull the cylinder rod from the cylinder tube.

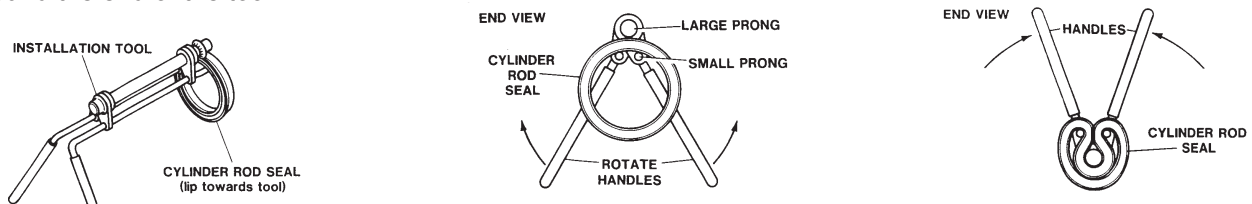


4. Inspect the piston and the bore of the cylinder tube for deep scratches or galling. If damaged, the piston and cylinder tube must be replaced.
5. Remove the hex nut, piston, flat washer or spacer tube (if so equipped), and gland from the cylinder rod. If the cylinder rod is rusty, scratched, or bent, it must be replaced.
6. Remove and discard all old seals.

ASSEMBLY PROCEDURE

IMPORTANT: Replace all seals even if they do not appear to be damaged. Failure to replace all seals may result in premature cylinder failure.

1. Install the cylinder rod seal in the gland first. Be careful not to damage the seal in the process as it is somewhat difficult to install. A special installation tool is available to help with installing the seal. Simply fit the end of the tool over the seal so that the large prong of the tool is on the outside of the seal, and the two smaller prongs on the inside. The lip of the seal should be facing towards the tool. Rotate the handles on the tool around to wrap the seal around the end of the tool.



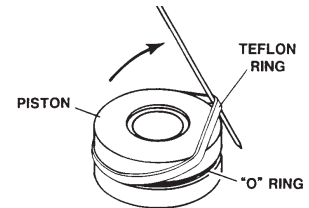
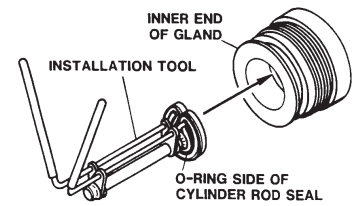
10530 3-8-06

MAINTENANCE AND SERVICE

Now insert the seal into the gland from the inner end. Position the seal in its groove, and release and remove the tool. Press the seal into its seat the rest of the way by hand.

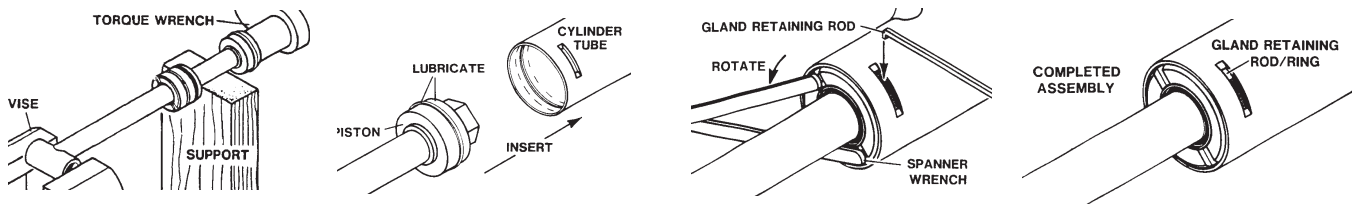
NOTE: Threaded gland is shown in diagram for reference only.

2. Install the new piston ring, rod wiper, O-rings, and backup washers, if applicable, on the piston. Be careful not to damage the seals. Caution must be used when installing the piston ring. The ring must be stretched carefully over the piston with a smooth, round, pointed tool.
3. Slide the gland onto the cylinder rod being careful not to damage the rod wiper. Then install the spacer, or flat washer (if so equipped), small O-ring, piston, and hex nut onto the end of the cylinder rod.
4. Secure the cylinder rod (mounting end) in a vise, with a support at its center. Torque the nut to the value shown on the chart for the thread diameter of the cylinder rod.



Thread Diameter	POUNDS - FEET
7/8"	150-200
*1"	230-325
1-1/8"	350-480
1-1/4"	490-670
1-3/8"	670-900

*** 1" Thread Diameter WITH 1.25" Rod Diameter**
Min. 230 ft. lbs. Max. 250 ft. lbs.



IMPORTANT: Do not contact the active surface of the cylinder rod with the vise. Damage to the rod could result.

IMPORTANT: Ensure that the piston ring fits squarely into the cylinder tube and piston groove, otherwise the ring may be damaged and a leak will occur.

5. Apply a lubricant (such as Lubriplate #105) to the piston and teflon ring. Insert the cylinder rod assembly into the cylinder tube.
6. Rotate the gland with a spanner wrench until the hole (drilled into the retaining slot of the gland) appears in the milled slot of the cylinder tube. Insert the hooked end of the gland retaining rod into the hole.

Rotate the gland until the gland retaining rod forms a ring between the gland and the cylinder tube. When complete, the bent end of the gland retainer ring should be hidden (not turned so it is exposed in the slot) to prevent it from popping out.

WARNING! Cylinders serviced in the field are to be tested for leakage prior to the attachment being placed in work. Failure to test rebuilt cylinders could result in damage to the cylinder and/or the attachment, causing severe personal injury or even death.



TROUBLESHOOTING

PROBLEM	POSSIBLE CAUSE	POSSIBLE SOLUTION
Bucket fails to curl or swing hoe fails to swing	Low oil supply	Add oil
	Obstruction in hydraulic line	Remove obstruction or replace
	Bent cylinder rod	Replace
	Damaged hydraulic cylinder	Replace
	Hydraulic couplers malfunctioning or non-compatible.	Replace
	Hydraulic couplers not completely engaged	Check and tighten couplers
Bucket fails to maintain curl	Oil leaking past cylinder seals	Replace cylinder seals
	Broken or leaking hydraulic lines	Replace and check for leaks
	Malfunctioning valve	Replace
Bucket or swing operating too slowly	Malfunctioning valve	Replace
	Oil leaking past cylinder seals	Replace cylinder seals
	Hydraulic couplers not completely engaged	Check and tighten couplers
	Obstruction in hydraulic line	Remove obstruction or replace
External leaking	Cylinder seals damaged	Replace and repair
	Broken or loose hydraulic lines or fittings	Check for leaks and repair or replace
	O'Rings damaged between the valves (swing hoe only)	Replace O'rings.

TROUBLESHOOTING

PROBLEM	POSSIBLE CAUSE	POSSIBLE SOLUTION
Swing hoe functions in one circuit only	No electrical power to solenoid valve	Check for proper connection in control box and power from loader
Swing hoe functions in one circuit only WITH power to the valve	Valve malfunctioning	Replace valve
Skid hoe not functioning according to operation decal	Incorrect hose routing	Switch power and return hoses at valve




BOLT TORQUE SPECIFICATIONS

GENERAL TORQUE SPECIFICATION TABLES

Use the following charts when determining bolt torque specifications when special torques are not given. Always use grade 5 or better when replacing bolts.


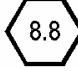
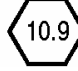
SAE BOLT TORQUE SPECIFICATIONS

NOTE: The following torque values are for use with extreme pressure lubricants, plating or hard washer applications. Increase torque 15% when using hardware that is unplated and either dry or lubricated with engine oil.

Bolt Size		SAE GRADE 5 TORQUE				SAE GRADE 8 TORQUE				Bolt head identification marks as per grade. NOTE: Manufacturing Marks Will Vary
		Pounds Feet		Newton-Meters		Pounds Feet		Newton-Meters		
Inches	Millimeters	UNC	UNF	UNC	UNF	UNC	UNF	UNC	UNF	
1/4	6.35	8	9	11	12	10	13	14	18	<p>GRADE 2</p>  <p>GRADE 5</p>  <p>GRADE 8</p> 
5/16	7.94	14	17	19	23	20	25	27	34	
3/8	9.53	30	36	41	49	38	46	52	62	
7/16	11.11	46	54	62	73	60	71	81	96	
1/2	12.70	68	82	92	111	94	112	127	152	
9/16	14.29	94	112	127	152	136	163	184	221	
5/8	15.88	128	153	174	207	187	224	254	304	
3/4	19.05	230	275	312	373	323	395	438	536	
7/8	22.23	340	408	461	553	510	612	691	830	
1	25.40	493	592	668	803	765	918	1037	1245	
1-1/8	25.58	680	748	922	1014	1088	1224	1475	1660	
1-1/4	31.75	952	1054	1291	1429	1547	1700	2097	2305	
1-3/8	34.93	1241	1428	1683	1936	2023	2312	2743	3135	
1-1/2	38.10	1649	1870	2236	2535	2686	3026	3642	4103	

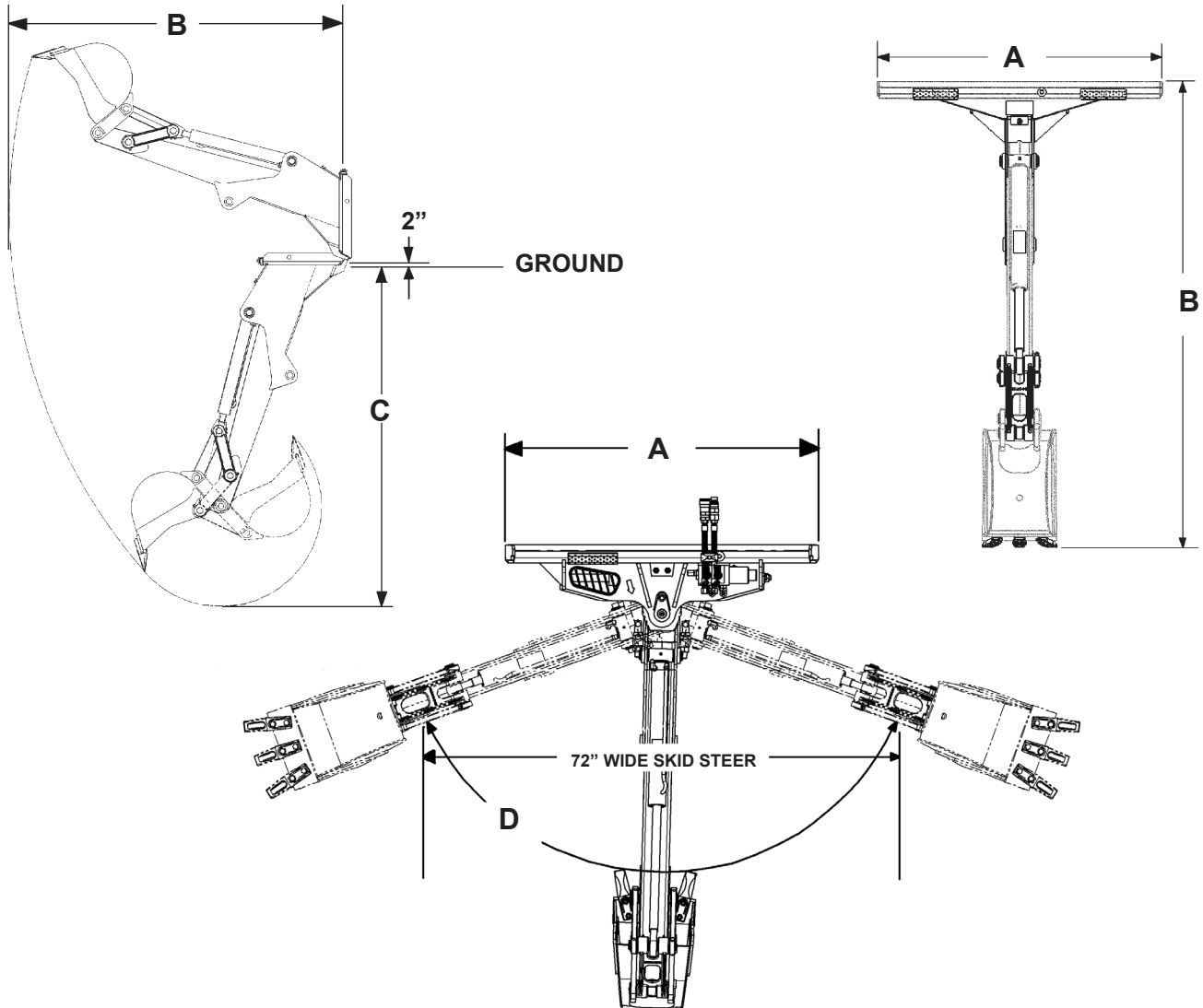
METRIC BOLT TORQUE SPECIFICATIONS

NOTE: The following torque values are for use with metric hardware that is unplated and either dry or lubricated with engine oil. Reduce torque 15% when using hardware that has extreme pressure lubricants, plating or hard washer applications.

Bolt head identification marks as per grade.		
		

Size of Bolt	Grade No.	Pitch (mm)	Pounds Feet	Newton-Meters	Pitch (mm)	Pounds Feet	Newton-Meters
M6	5.6	1.0	3.6-5.8	4.9-7.9	-	-	-
	8.8		5.8-4	7.9-12.7		-	-
	10.9		7.2-10	9.8-13.6		-	-
M8	5.6	1.25	7.2-14	9.8-19	1.0	12-17	16.3-23
	8.8		17-22	23-29.8		19-27	25.7-36.6
	10.9		20-26	27.1-35.2		22-31	29.8-42
M10	5.6	1.5	20-25	27.1-33.9	1.25	20-29	27.1-39.3
	8.8		34-40	46.1-54.2		35-47	47.4-63.7
	10.9		38-46	51.5-62.3		40-52	54.2-70.5
M12	5.6	1.75	28-34	37.9-46.1	1.25	31-41	42-55.6
	8.8		51-59	69.1-79.9		56-68	75.9-92.1
	10.9		57-66	77.2-89.4		62-75	84-101.6
M14	5.6	2.0	49-56	66.4-75.9	1.5	52-64	70.5-86.7
	8.8		81-93	109.8-126		90-106	122-143.6
	10.9		96-109	130.1-147.7		107-124	145-168
M16	5.6	2.0	67-77	90.8-104.3	1.5	69-83	93.5-112.5
	8.8		116-130	157.2-176.2		120-138	162.6-187
	10.9		129-145	174.8-196.5		140-158	189.7-214.1
M18	5.6	2.0	88-100	119.2-136	1.5	100-117	136-158.5
	8.8		150-168	203.3-227.6		177-199	239.8-269.6
	10.9		175-194	237.1-262.9		202-231	273.7-313
M20	5.6	2.5	108-130	146.3-176.2	1.5	132-150	178.9-203.3
	8.8		186-205	252-277.8		206-242	279.1-327.9
	10.9		213-249	288.6-337.4		246-289	333.3-391.6

SPECIFICATIONS



DESCRIPTION	FIXED HOE	SWING HOE
A. OVERALL WIDTH	47.50"	47.50"
B. OVERALL REACH (From Mounting Plate)	75.00"	78.00"
C. DIGGING DEPTH (With Mounting Plate 2" Above Ground.)	73.00"	76.00"
D. SWING ANGLE	NA	140°
DIGGING FORCE (Bucket Cylinder)	3895#	3800#
WEIGHT (Approx. with 12" bucket)	395#	535#
Cylinder Specifications	105306	112126
Bore	2.25"	2.00"
Stroke	18.23"	7.73"
Rod Diameter.....	1.25"	1.12"

11097 5-28-09-2

Limited Warranty

Except for the Excluded Products as described below, all new products are warranted to be free from defects in material and/or workmanship during the Warranty Period, in accordance with and subject to the terms and conditions of this Limited Warranty.

1. Excluded Products. The following products are excluded from this Limited Warranty:

(a) Any cable, part that engages with the ground (i.e. sprockets), digging chain, bearing, teeth, tamping and/or demolition head, blade cutting edge, pilot bit, auger teeth and broom brush that either constitutes or is part of a product.

(b) Any product, merchandise or component that, in the opinion of Paladin Light Construction¹, has been (i) misused; (ii) modified in any unauthorized manner; (iii) altered; (iv) damaged; (v) involved in an accident; or (vi) repaired using parts not obtained through Paladin Light Construction.

2. Warranty Period. The Limited Warranty is provided only to those defects that occur during the Warranty Period, which is the period that begins on the first to occur of: (i) the date of initial purchase by an end-user, (ii) the date the product is first leased or rented, or (iii) the date that is six (6) months after the date of shipment by Paladin Light Construction as evidenced by the invoiced shipment date (the "Commencement Date") and ends on the date that is twenty-four (24) months after the Commencement Date.

3. Terms and Conditions of Limited Warranty. The following terms and conditions apply to the Limited Warranty hereby provided:

(a) Option to Repair or Replace. Paladin Light Construction shall have the option to repair or replace the product.

(b) Timely Repair and Notice. In order to obtain the Limited Warranty, (i) the product must be repaired within thirty (30) days from the date of failure, and (ii) a claim under the warranty must be submitted to Paladin Light Construction in writing within thirty (30) days from the date of repair.

(c) Return of Defective Part or Product. If requested by Paladin Light Construction, the alleged defective part or product shall be shipped to Paladin Light Construction at its manufacturing facility or other location specified by Paladin Light Construction, with freight PRE-PAID by the claimant, to allow Paladin Light Construction to inspect the part or product.

Claims that fail to comply with any of the above terms and conditions shall be denied.

LIMITATIONS AND EXCLUSIONS.

THIS LIMITED WARRANTY IS IN LIEU OF ALL OTHER WARRANTIES, EXPRESS OR IMPLIED, INCLUDING WITHOUT LIMITATION THE WARRANTIES OF MERCHANTABILITY, FITNESS FOR A PARTICULAR PURPOSE AND ANY WARRANTY BASED ON A COURSE OF DEALING OR USAGE OF TRADE.

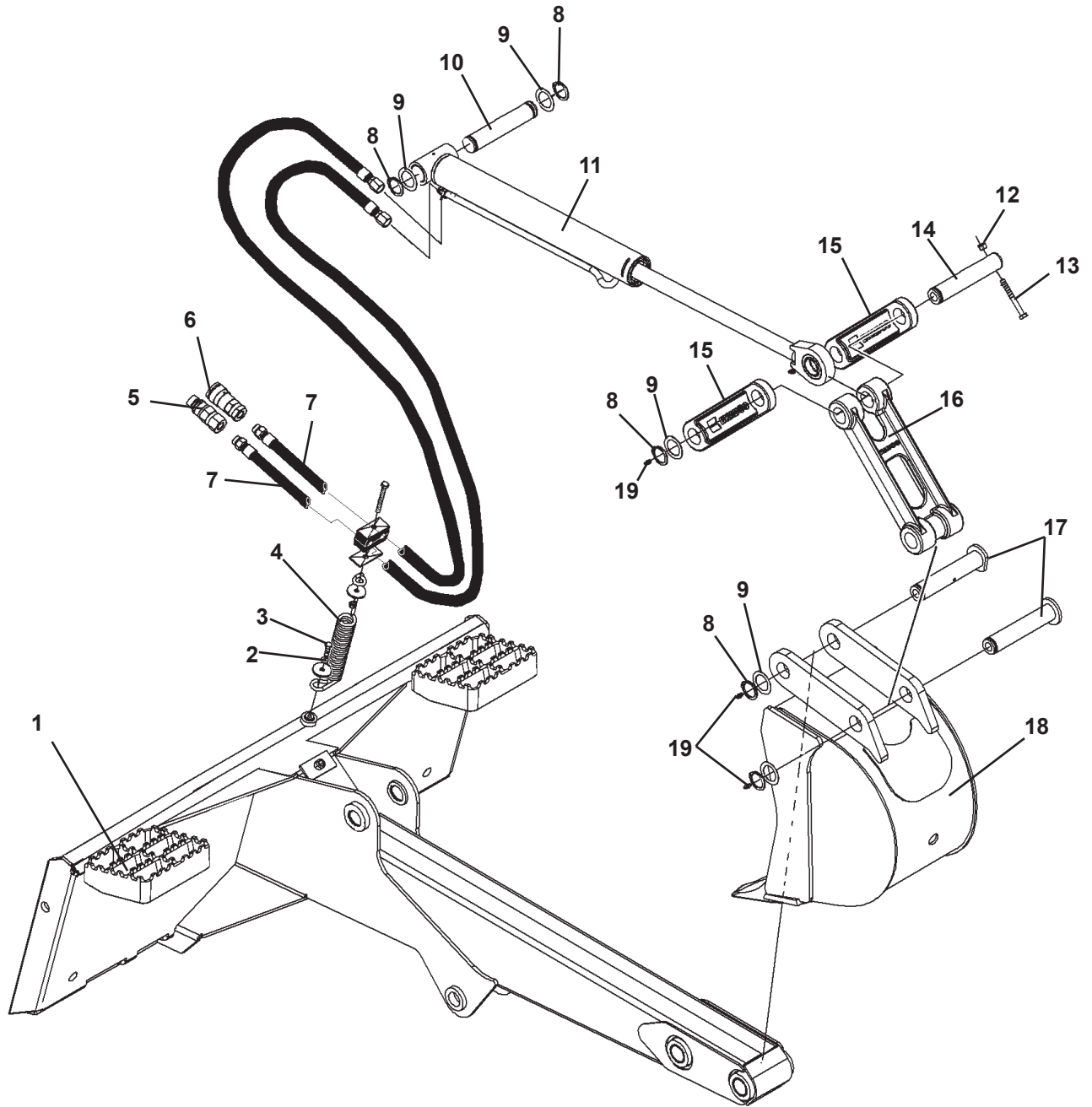
IN NO EVENT SHALL PALADIN LIGHT CONSTRUCTION BE LIABLE FOR CONSEQUENTIAL OR SPECIAL DAMAGES.

IN NO EVENT SHALL PALADIN LIGHT CONSTRUCTION BE LIABLE FOR ANY LOSS OR CLAIM IN AN AMOUNT IN EXCESS OF THE PURCHASE PRICE, OR, AT THE OPTION OF PALADIN LIGHT CONSTRUCTION, THE REPAIR OR REPLACEMENT, OF THE PARTICULAR PRODUCT ON WHICH ANY CLAIM OF LOSS OR DAMAGE IS BASED. THIS LIMITATION OF LIABILITY APPLIES IRRESPECTIVE OF WHETHER THE CLAIM IS BASED ON BREACH OF CONTRACT, BREACH OF WARRANTY, NEGLIGENCE OR OTHER CAUSE AND WHETHER THE ALLEGED DEFECT IS DISCOVERABLE OR LATENT.

¹Attachment Technologies Inc., a subsidiary of Paladin Brands Holding, Inc. (PBHI) is referred to herein as Paladin Light Construction.

FIXED SKID HOE ASSEMBLY

ASSEMBLY #111637



FIXED SKID HOE ASSEMBLY

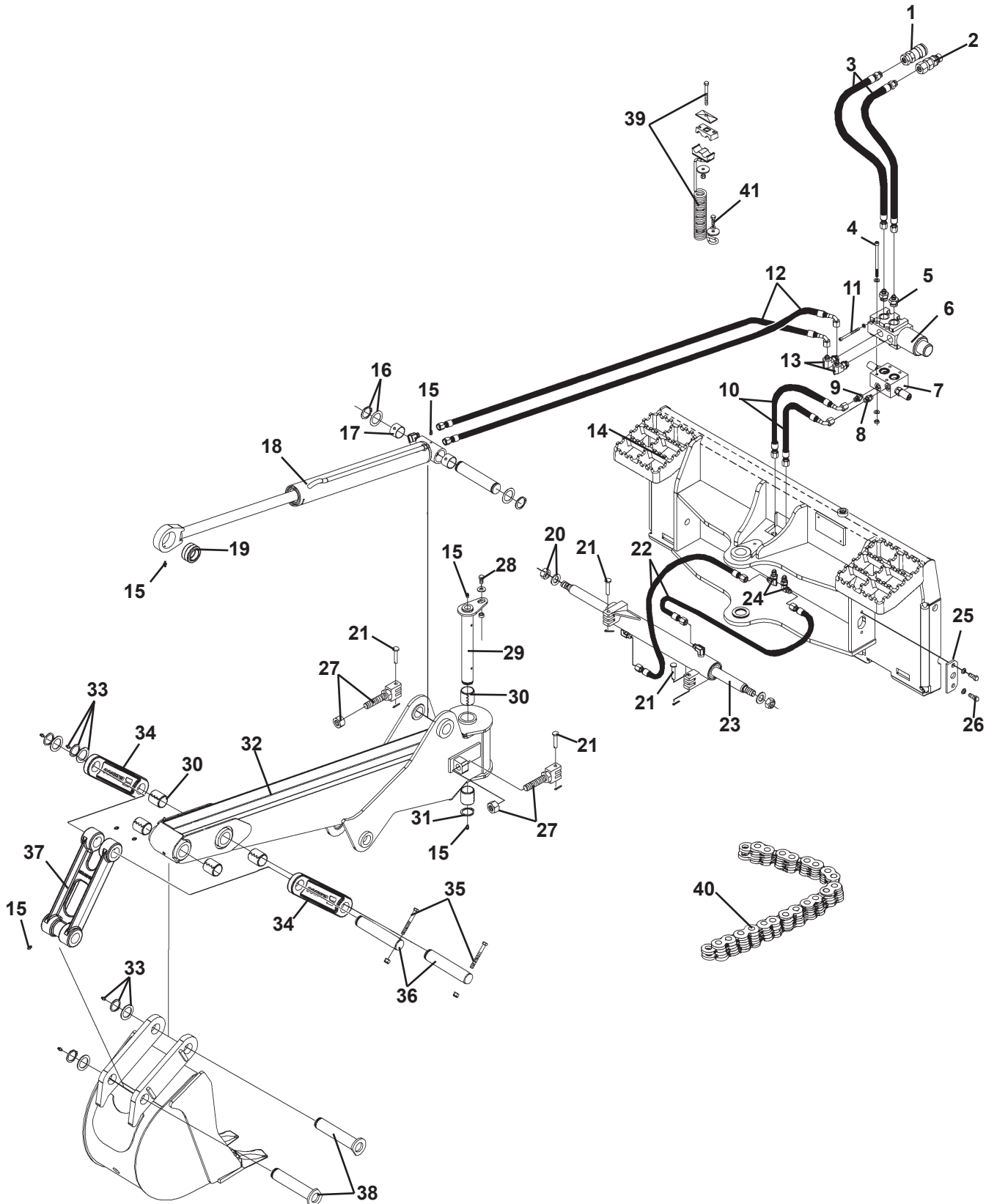
ASSEMBLY #111637

<u>ITEM</u>	<u>REQ'D</u>	<u>PART NO.</u>	<u>DESCRIPTION</u>
1	1	111632	Backhoe Frame
2	1	1502	.31" Lock Washer
3	1	1022	.31" UNC X 1.00" Hex Capscrew
4	1	103178	Hose Clamp Assembly
5	1	14176	Male Coupler .50" Body 8FBo
6	1	14175	Female Coupler .50" Body 8FBo
7	2	38033	Hose .38" x 87" 6FJX-8MBo
8	6	1650	Snap Ring
9	6	6623	Thrust Washer
10	1	105370	Cylinder Pin
11	1	105306	Cylinder Assembly
		45478	Replacement Seal Kit
12	2	1536	.38" UNC Nylock Hex Nut
13	2	1052	.38" UNC X 3.25" Hex Capscrew
14	2	105373	Cylinder Pin
15	2	105391	Dipper Link
16	1	105390	Bucket Link
	3	6616	Grease Fittings
17	2	105375	Bucket Pin
18	Option	81710	10" Bucket
		81712	12" Bucket
		81716	16" Bucket
		81718	18" Bucket
		81724	24" Bucket
19	9	6616	Grease Fitting

SWING HOE ASSEMBLY

ASSEMBLY #112140

DIAGRAM 1 OF 2



11435 5-22-14-2

SWING HOE ASSEMBLY

ASSEMBLY #112140

LIST 1 OF 2

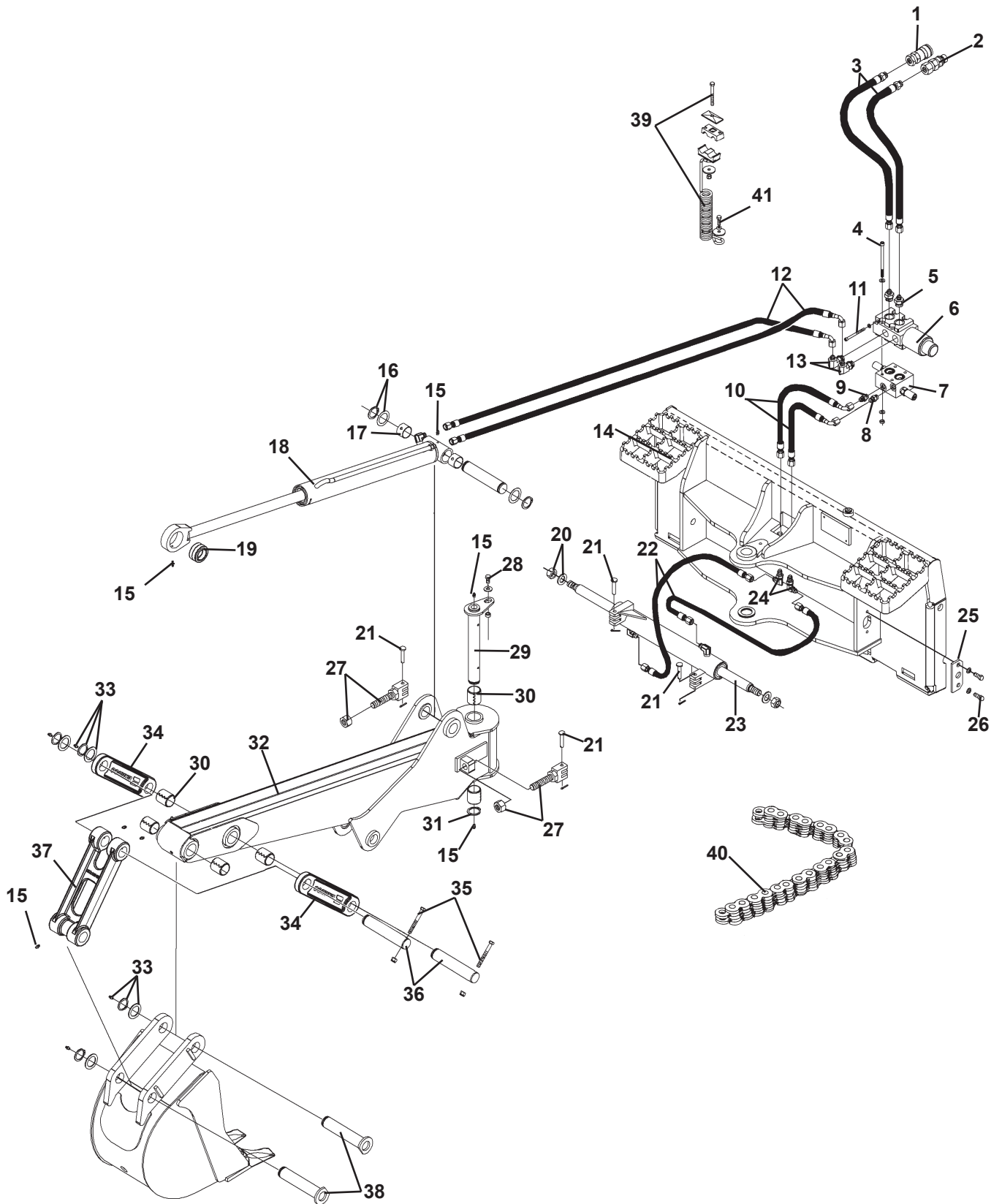
<u>ITEM</u>	<u>REQ'D</u>	<u>PART NO.</u>	<u>DESCRIPTION</u>
1	1	14175	Female Coupler 8FBo .50" Body
2	1	14176	Male Coupler 8FBo .50" Body
3	2	38033	Hose Assembly .38" X 87" 6FJX-8MBo-HS
4	4	10227	.31" X 4.75" Socket Head Capscrew
	8	1524	.31" Flat Washer
	4	1934	.31" UNC Deformed Lock Nut
5	2	3362	Straight Connector 10MBo-6MJ
6	1	17006	Diverter Valve
7	1	112137	Crossover Relief Valve
	-	45839	Replacement O'Ring (Between Valves)
8	1	3457	Straight Connector 6MBo-6MJ
9	1	30369	Straight Connector 6MBo-6MJ with .046 Orifice
10	2	38614	Hose .25" X 15" 6FJX-6FJX 90°
11	2	10212	.25" X 3.00" Socket Head Capscrew
	2	1501	.25" Lock Washer
12	2	38615	Hose .25" X 18.50" 6FJX-6FJX 90°
13	2	30143	90° Elbow 10MBo-6MJ
14	1	112130	Swing Hoe Frame
15	7	6616	Grease Fitting
16	1	105370	Pivot Pin
	2	6623	Thrust Washer
	2	1650	Snap Ring
17	2	85772	Bushing (Included in Cylinder Assembly)
18	1	105306	Cylinder Assembly
19	1	6615	Self Aligning Bushing (Included in Cylinder Assembly)
20	2	1649	.75" Hard Flat Washer
	2	10001	.75" UNF Deformed Lock Nut
21	4	54418	Clevis Pin
	4	1611	Cotter Pin
22	2	38616	Hose .25" X 22" 6FJX-6FJX Wrap
23	1	112126	Swing Cylinder Assembly
24	2	3282	90° Bulkhead Fitting 6MJ-6MJ (Includes Nut)
25	1	62942	Mounting Plate
26	2	1043	.38" UNC X 1.00" Hex Capscrew
	2	1503	.38" Lock Washer

11436 5-22-14-2

SWING HOE ASSEMBLY

ASSEMBLY #112140

DIAGRAM 2 OF 2



11437 5-22-14-2

SWING HOE ASSEMBLY

ASSEMBLY #112140

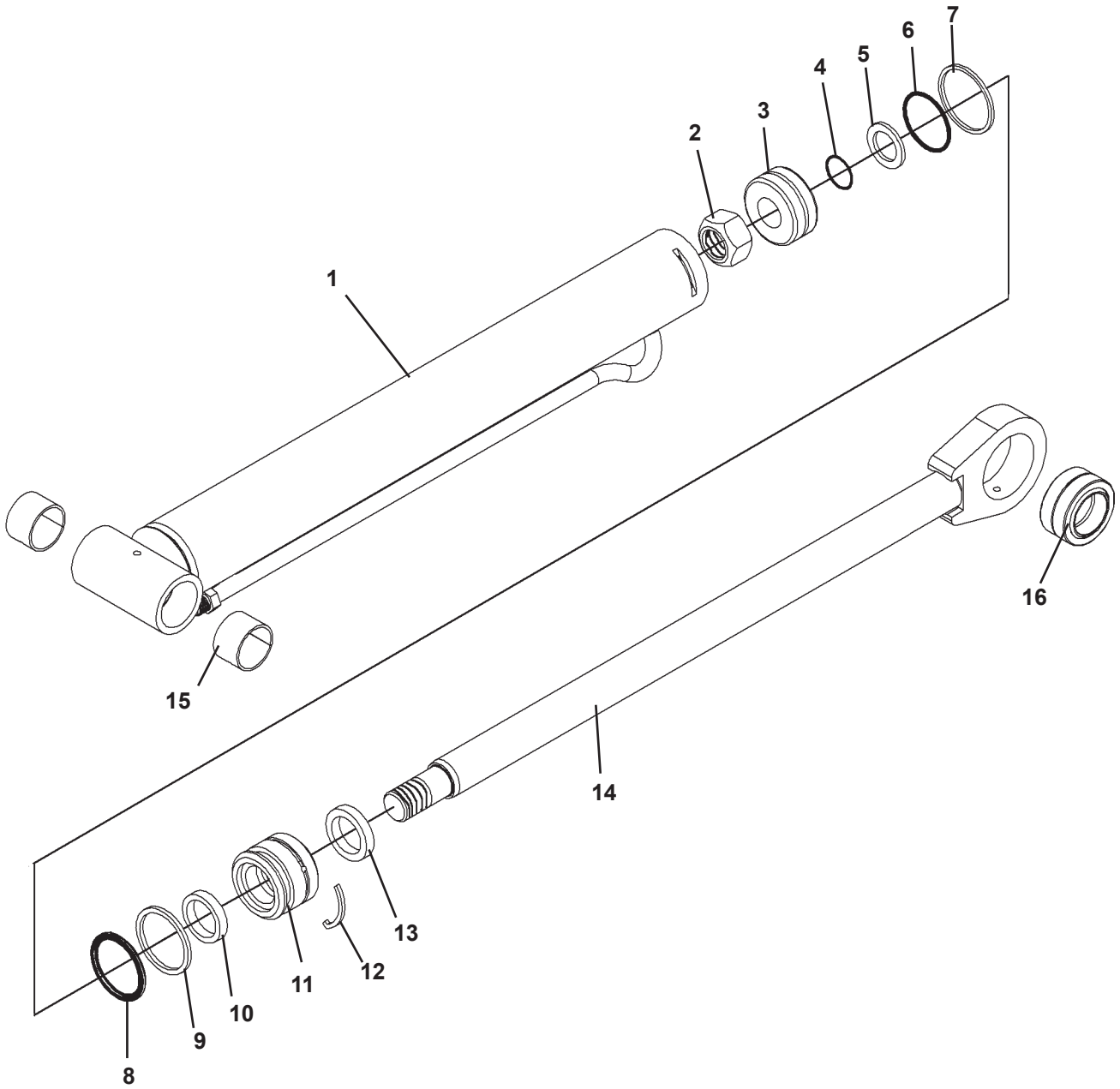
LIST 2 OF 2

<u>ITEM</u>	<u>REQ'D</u>	<u>PART NO.</u>	<u>DESCRIPTION</u>
27	2	61165	Bolt
	2	1534	.75" UNC Nylock Nut
28	1	1042	.38" UNC X .75" Hex Capscrew
	1	1514	.38" Flat Washer
	1	81807	Spacer Tube
29	1	112135	Pivot Pin
30	6	81610	Replacement Bushing (Included with Boom)
31	1	64724	Thrust Washer
	1	83976	Thrust Washer
	1	1650	Snap Ring
32	1	112120	Boom
33	4	6616	Grease Fitting
	4	64724	Thrust Washer
	4	1650	Snap Ring
34	2	105391	Dipper Link
35	2	1052	.38" UNC X 3.25" Hex Capscrew
	2	1536	.38" UNC Nylock Nut
36	2	105373	Pivot Pin
37	1	105390	Bucket Link
38	2	105375	Pivot Pin
39	1	103178	Spring Clamp Assembly
40	2	88503	Swing Chain (13 Pitch)
41	1	1022	.31" UNC X 1.00" Hex Capscrew
	1	1502	.31" Lock Washer

11438 5-22-14-2

BUCKET CYLINDER ASSEMBLY

ASSEMBLY #105306



BUCKET CYLINDER ASSEMBLY

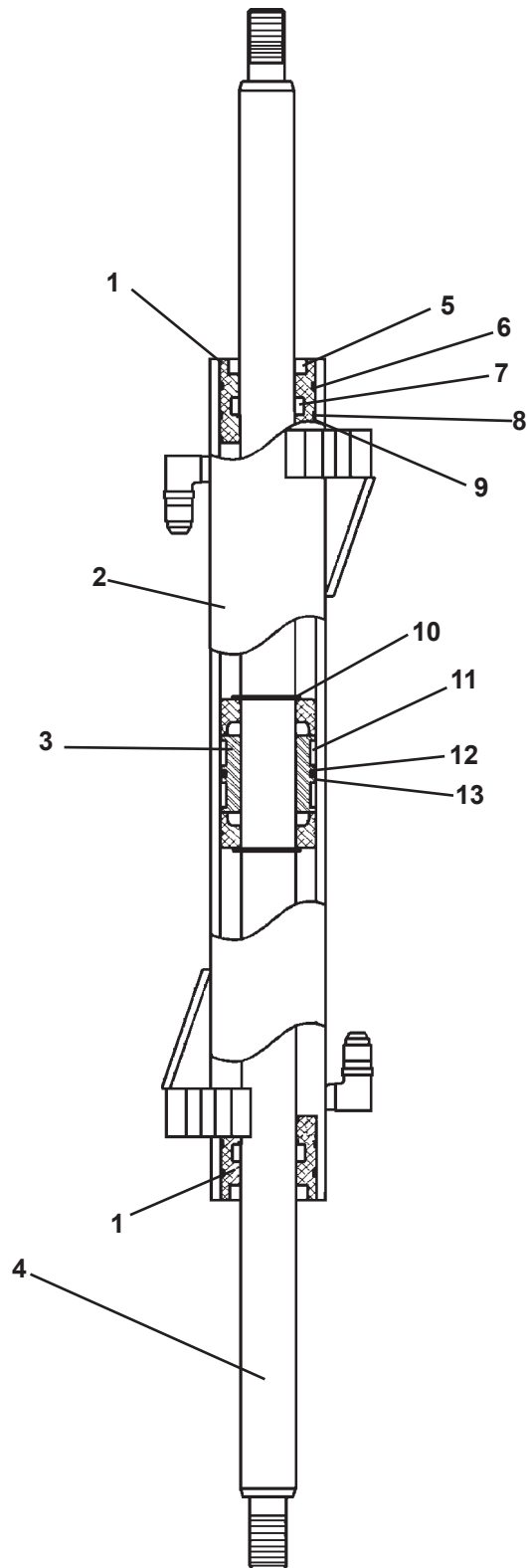
ASSEMBLY #105306

<u>ITEM</u>	<u>REQ'D</u>	<u>PART NO.</u>	<u>DESCRIPTION</u>
1	1	105309	Cylinder Tube
2	1	1483	Hex Nut (Torque to 230-325 ft. lbs.)
3	1	86509	Piston
4	1	4641*	O'Ring
5	1	5421	Washer
6	1	45443*	O'Ring
7	1	45701*	Piston Ring
8	1	45699*	O'Ring
9	1	45700*	Back-Up Washer
10	1	86508	Gland
11	1	45219*	Poly-Pak Seal
12	1	7165*	Gland Retainer Rod
13	1	4974*	Rod Wiper
14	1	105307	Cylinder Rod
15	2	85772	Bushing
16	1	6615	Self-Aligning Bearing

NOTE: Seal Kit #45478 includes all parts marked with an asterisk(*). Parts are not sold separately.

SWING CYLINDER ASSEMBLY

ASSEMBLY #112126



SWING CYLINDER ASSEMBLY

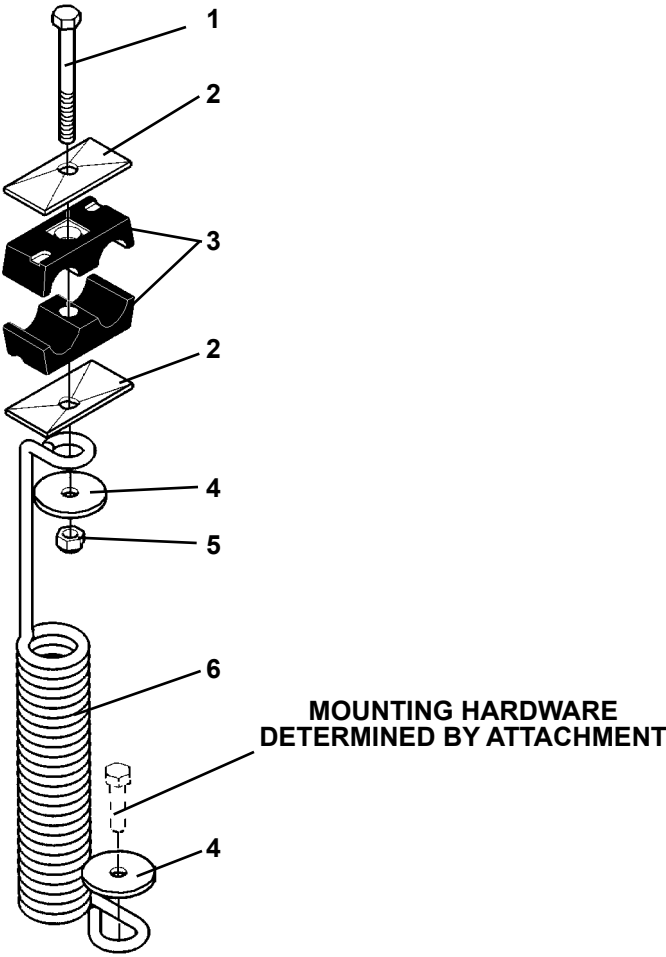
ASSEMBLY #112126

<u>ITEM</u>	<u>REQ'D</u>	<u>PART NO.</u>	<u>DESCRIPTION</u>
1	2	64891	Gland
2	1	88475	Cylinder Tube
3	2	112128	Cushion Ring
4	1	112127	Cylinder Rod
5	2	4981*	Rod Wiper
6	2	7164*	Gland Retainer Ring
7	2	45262*	Poly Pak Seal
8	2	4634*	Back-Up Washer
9	2	4633*	O'Ring
10	2	1998*	Retaining Ring
11	2	45760	Wear Ring
12	1	4637*	O-Ring
13	1	4636*	Piston Ring

NOTE: Seal Kit #45765 includes all parts marked with an asterisk (*). Parts are not sold separately.

SPRING CLAMP ASSEMBLY

ASSEMBLY #103178



SPRING CLAMP ASSEMBLY

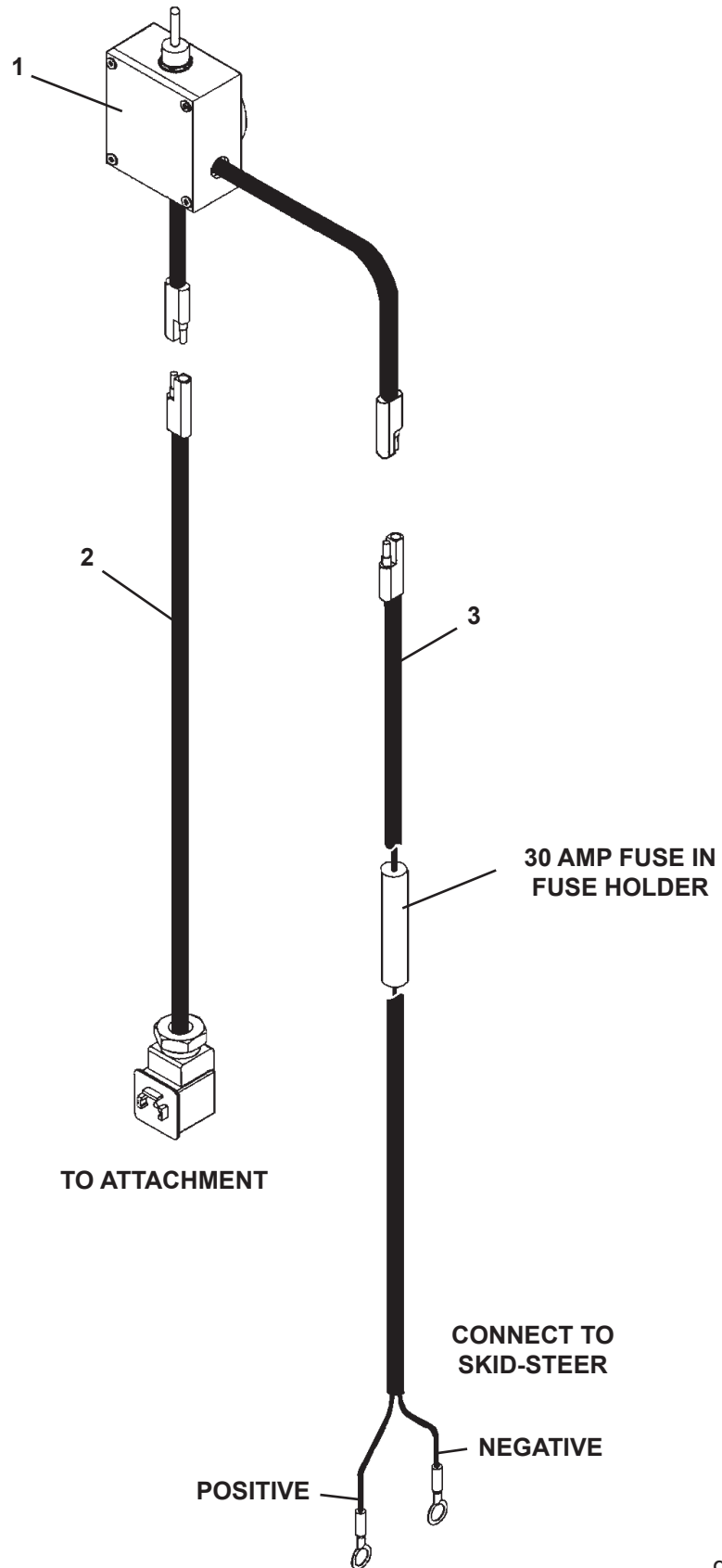
ASSEMBLY #103178

<u>ITEM</u>	<u>REQ'D</u>	<u>PART NO.</u>	<u>DESCRIPTION</u>
1	1	1030	.31" UNC X 3.00" Hex Capscrew
2	2	103184	Top Plate
3	2	103181	Hose Clamp (.75" ID Hose)
4	2	105840	Fender Washer
5	1	1753	.31" UNC Nylock Nut
6	1	RHW8618	Mounting Spring

11101 3-6-08

OPTIONAL ELECTRICAL CONTROL BOX

ELECTRICAL CONTROL BOX ASSEMBLY #15756



OPTIONAL ELECTRICAL CONTROL BOX

ELECTRICAL CONTROL BOX ASSEMBLY #15756

<u>ITEM</u>	<u>REQ'D</u>	<u>PART NO.</u>	<u>DESCRIPTION</u>
1	1	17709	Control Box Assembly (Includes one single pole, double throw, normally open, momentary closed, spring return toggle switch.)
2	1	17716	Wire Assembly (To Attachment)
3	1	17173	Wire Assembly (To Skid-Steer Power Supply)

DANGER! ELECTROCUTION HAZARD



Provide electrical power to the control box by following your skid steer manufacturer's recommended procedures.

The electrical circuit must be fused to prevent machine damage and serious personal injury or death.