



# Construction Utility Forks

## Rugged. Versatile. Dependable.

JRB Construction Utility Forks by Paladin turn wheel loaders into heavy-duty forklifts to safely transport large loads of construction-related materials.

Safely navigate job sites carrying construction materials like pallets, pipes and related equipment with our rugged CUFs.

Perfect for construction or utility projects. Our standard offering includes many popular sizes and configurations in both manual and hydraulic operation formats.

Special order carriage width and tine length available upon request. Call JRB for sizing, pricing, and availability.



**Easy Manual Tine Placement**  
(Hydraulic option available)



**JRB Quick Hitch Mount (shown)**  
Pin-On Mount also available



**Excellent Visibility**



The Power of Combined Excellence®

BRADCO

CP

CUSTOMWORKS

FFC

HARLEY

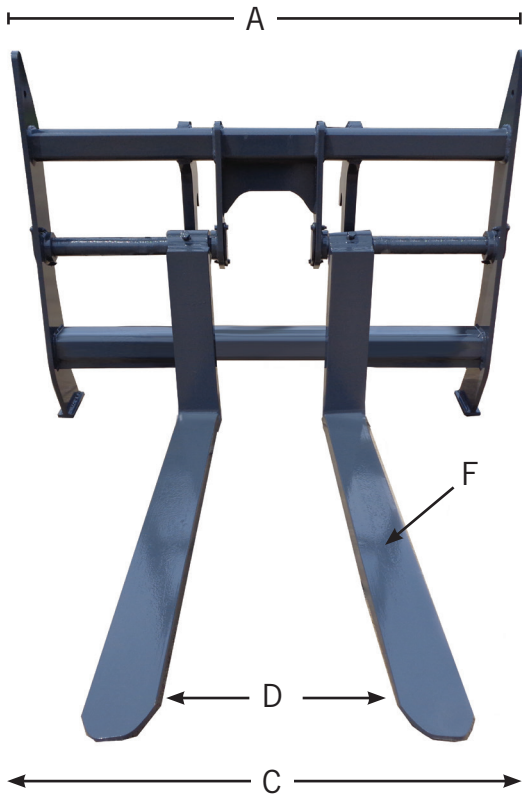
JRB

McMILLEN

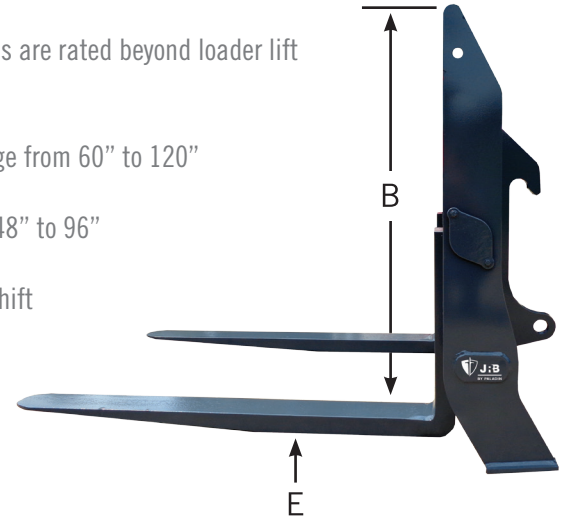
SWEEPSTER



# Construction Utility Forks (CUFs)



- Available with manually adjustable tines or hydraulically actuated tines for side-to-side adjustments from the cab
- Third function loader hydraulics and jumper hose kit for Quick Coupler required for hydraulic fork operation. Hydraulic forks supplied with attachment side whip hoses
- Tine static load capacities are rated beyond loader lift capabilities
- Fork carriage widths range from 60" to 120"
- Tine lengths range from 48" to 96"
- Optional hydraulic side shift rotation available
- Forks available in Pin-on or compatible with JRB's Quick Coupler System



"Paladin attachments have the **durability** and performance I can always count on."  
*Jim W., Construction Contractor*

Class	Tine Adjustment Style	"A" Frame Width	"B" Frame Height	"C" Maximum Tine Spacing	"D" Minimum Tine Spacing	"E" Tine Size	"F" Load Capacity at 24" CTR
100	Manual	61"	48"	59"	10"	2" X 4"	8,400 lbs.
	Hydraulic	61"	48"	59"	10"		
200	Manual	63-3/4"	52"	60"	28-1/4"	2-1/2" X 6"	19,700 lbs.
		96-1/2"	52"	92-3/4"	28-1/4"		
	Hydraulic	63-1/2"	52"	58"	24"		
		97-1/2"	52"	92"	40-1/2"		
300-500	Manual	63-3/4"	52"	60"	28-1/4"	2-1/2" X 6"	19,700 lbs.
		96-1/2"	52"	92-3/4"	28-1/4"		
	Hydraulic	63-1/2"	52"	58"	24"		
		97-1/2"	52"	92"	40-1/2"		
600	Manual	108"	60-1/2"	103"	28"	3" X 7"	32,250 lbs.
	Hydraulic	98"	53-1/2"	92"	46-1/2"		
700-800	Manual	108"	63-3/25"	103"	38"	38000 lbs.	51,700 lbs.
	Hydraulic	108"	63-3/25"	103"	62"		
900	Manual	108"	63-3/25"	103"	40"	38000 lbs.	67,500 lbs.
	Hydraulic	108"	63-3/25"	103"	64"		